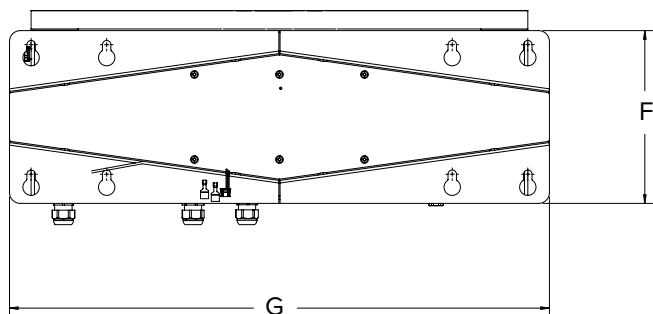
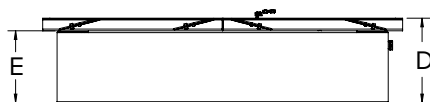
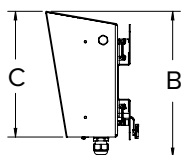
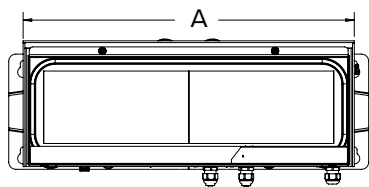


LaserLight3™

Color Messaging Remote Display



Dimensions			
A	23.00 in (584 mm)	E	5.00 in (127 mm)
B	10.10 in (256 mm)	F	8.00 in (203 mm)
C	8.73 in (222 mm)	G	25.02 in (636 mm)
D	5.87 in (149 mm)		



Mount Plate

Standard Features

- Vibrant 128- by 32-pixel LED color display with non-glare lens; high-intensity digits up to 5 inches tall
- Color commands change background and foreground text
- Auto Learn identifies and interprets the source weight data string for maximum compatibility with a wide range of indicators
- Versatile layout choices include mirror mode, 1-line, 2-line and quadrant format
- Dynamic messaging views can scroll, slide or flash
- Display stop/go light symbols/arrows with digits up to 4 inches tall
- Software selectable time/date when weight is at zero
- Integrated weathertight keypad for sending configurable scale commands to the indicator
- Durable IP66 enclosure with Gore-Tex® breather vent to inhibit internal moisture
- RS-232, RS-422, 20 mA and Ethernet TCP/IP
- Mounting options include VESA, flange and pole configurations

Options

- Wireless LAN, Wi-Fi interface 802.11 a/b/g/n
- Wireless interface, pair of ConnexLink radios and mount
- Pole mount kit, VESA flat-wall for 2-6 inch 200 mm W x 100 mm H, 6 fasteners (M4 x 8 mm)
- Sunshade visor, 8-inch painted steel

Specifications

Power Consumption:

AC voltages: 100 to 240VAC; 50/60Hz
120 watt (120 VAC)
95 watt (12 VDC)

Output Interface:

Ethernet TCP/IP, independently configurable echo port

Input Data Format:

Baud Rate: 1200, 2400, 4800, 9600, 19200, 38400, 57600 and 115200 self-learning or configurable

Update:

Continuous or out-of-motion modes
Message interrupt mode

Digital I/O:

Four I/O read or set
5V logic

Communication Ports:

Ethernet TCP/IP, RS-232, RS-485,
20 mA passive loop

Optional

ConnexLink™ wireless radio,
WLAN interface 802.11 a/b

Character Format:

7 or 8 data bits; even, odd, or no parity;
1 or 2 stop bits

Maximum Viewing Distance:

4-inch character: 100 ft (30 m)
5-inch character: 150 ft (46 m)

Viewing Angle:

160°

Display:

Bright, outdoor color LED lamps
128 × 32-pixel, 4 mm pitch
Decimal or comma indication
Weight display with units and mode
Message display 1, 2 or 4 lines
Stop/go and directional arrow

Keys/Buttons:

Integrated keypad

Time:

Software enable, 12- or 24-hour format

Date:

Software enable, US or ISO format

Dimensions:

(L × W × H)
25 × 10 × 6 in

Temperature Range:

Operating: -40 °F to 120 °F (-40 °C to 49 °C)

Rating/Material:

IP66 weathertight
Mild steel, powder-coated

Weight:

Without wall mount:
14.19 lb (7.81 kg)
With wall mount:
20.48 lb (10.66 kg)
With sunshade:
29.79 lb (14.88 kg)

Warranty:

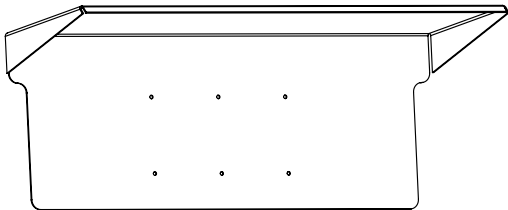
Two-year limited

Part Number/Price

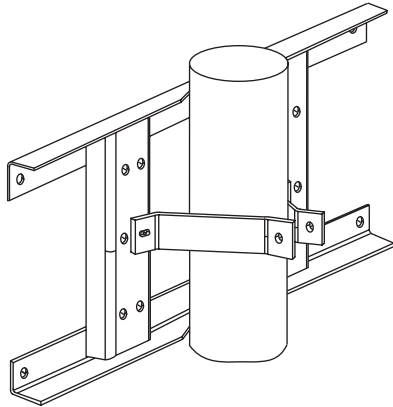
Part #	Description	Est. Weight	Price
214825	LaserLight3 color 5-inch messaging remote display	20 lb	Consult

Options/Accessories

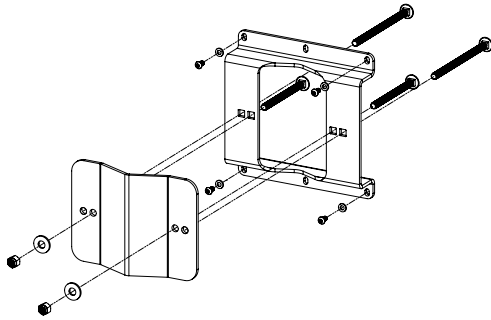
Part #	Description	Price
212745	Pole mount kit, VESA flat-wall, 200 mm W x 100 mm H, 6 fasteners (M4 x 8 mm) for 2-6 inch pole	Consult
75856	Pole mount kit, 4-inch flange style (24-inch wide frame use with 4-8 inch dia. pole)	Consult
208807	Sunshade, 8-inch	Consult
209118	Wireless LAN, RS-232/Wi-Fi interface 802.11 a/b XPico module	Consult
212753	Wireless interface, pair of ConnexLink radios transceiver kit and mount	Consult



Sunshade
PN 208807



Flange pole mount kit
PN 75856



VESA pole mount kit
PN 212745

**REMOTE DISPLAYS /
SCOREBOARD**