

Interchangeable Products

RICE LAKE WEIGHING SYSTEMS

AX3040

VPG REVERE®

8300420-10**Specifications****Full Scale Output:**

0.5 mV/V at 12,500 lb

Output Resistance:

350 (nominal)

Input Resistance:

350 (nominal)

Material/Finish:

Alloy steel

Temperature:

14° F to 104° F (-10° C to 40° C)

Rated Excitation:

15VDC

Non-linearity:

±1.0% full scale

Insulation Resistance:

500 megohms @ 50VDC

Seal Type:

Environmentally sealed, IP66

Connector Type:

7-pin

Connector Pin Out:

A - Signal + (white)

C - Excitation - (black)

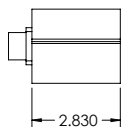
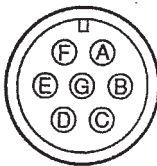
D - Excitation + (red)

F - Signal - (green)

F - Shield

Warranty:

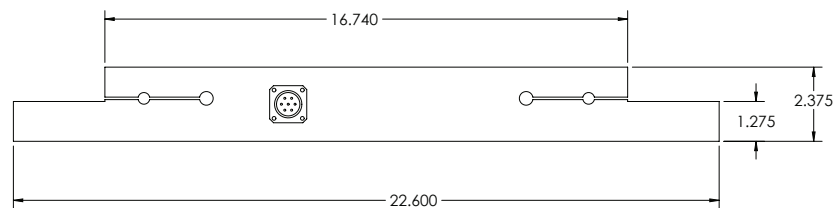
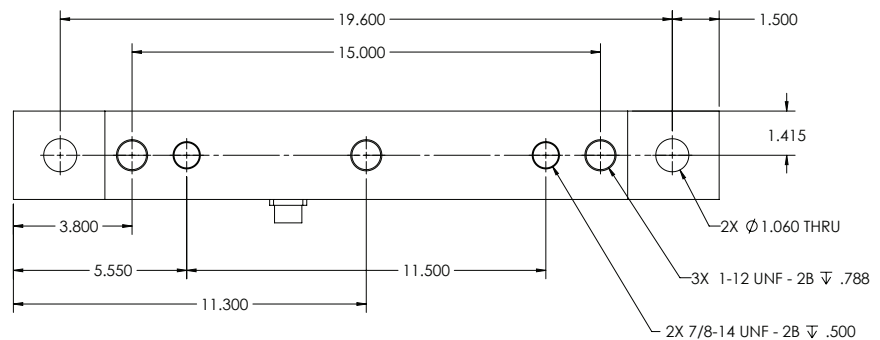
One-year limited warranty

**Order Information***Picture is a representation of actual product*

Load Rating	Part #	Est. Weight	Price
Static 30,000 lbs	111766	30 lbs	\$1,050.00
Dynamic 20,000 lbs			

Load Cell Cable Option

Part #	Description	Price
112119	2 ft cable with 90° connector	\$85.00
112121	3 ft cable with connector	\$85.00
114628	10 ft cable with 90° connector	\$105.00
112120	17 ft cable with 90° connector	\$105.00



LOAD CELL

PL9000-14.4

Alloy Steel, Environmentally Sealed



Specifications

- Full Scale Output:**
0.75 mV/V at 12,500 lb
- Output Resistance:**
350 (nominal)
- Input Resistance:**
350 (nominal)
- Material/Finish:**
Alloy steel
- Temperature:**
14° F to 104° F (-10° C to 40° C)
- Rated Excitation:**
15VDC (5-10V recommended)
- Non-linearity:**
±0.1% full scale
- Insulation Resistance:**
500 megohms at 50VDC
- Seal Type:**
Environmentally sealed
- Cable Length:**
32 in cable
- Connector Type:**
Conxall, 4-pin (male)
- Connection Pin Out:**
A - Excitation +
B - Signal +
C - Signal -
D - Excitation -
- Warranty:**
One-year limited warranty

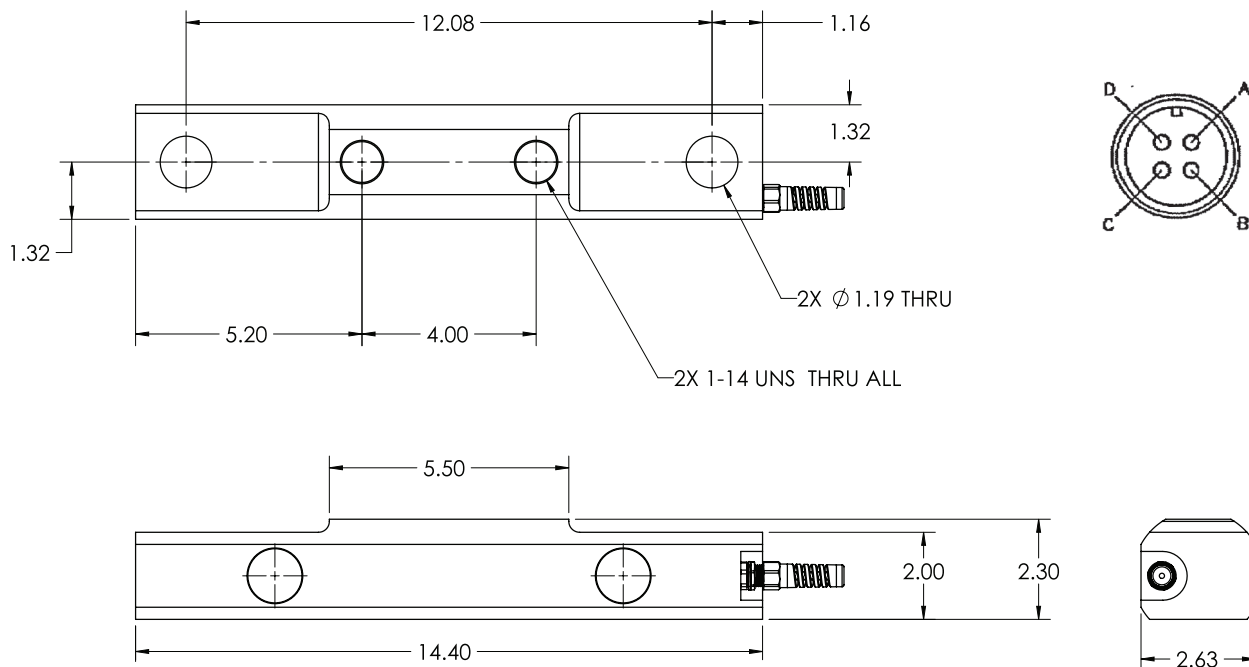
Order Information

Picture is a representation of actual product

Load Rating	Part#	Est. Weight	Price
Static 25,000 lbs Dynamic 12,500 lbs	115345	18 lb	\$825.00

Load Cell Cable Option

Part #	Description	Price
115954	30 ft cable with connector	\$150.00
166650	20 ft cable with connector	\$140.00



Specifications

Full Scale Output:

0.25 mV/V at 12,500 lb

Output Resistance:

350 (nominal)

Input Resistance:

350 (nominal)

Material/Finish:

Alloy steel

Temperature:

14°F to 104°F (-10°C to 40°C)

Rated Excitation:

15VDC (5-10V recommended)

Non-linearity:

±0.1% full scale

Insulation Resistance:

500 megohms at 50VDC

Seal Type:

Hermetically sealed, IP68

Cable Length:

32 in cable

Connector Type:

Conxall, 4-pin (male)

Connection Pin Out:

A - Excitation +

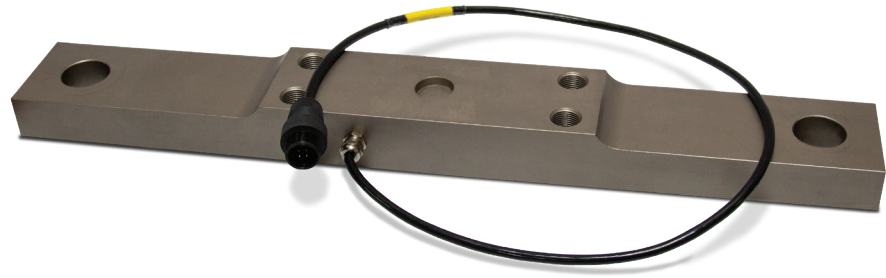
B - Signal +

C - Signal -

D - Excitation -

Warranty:

One-year limited warranty



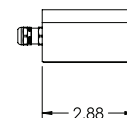
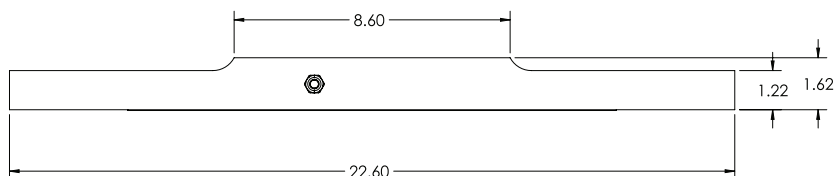
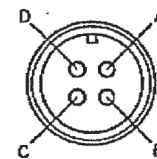
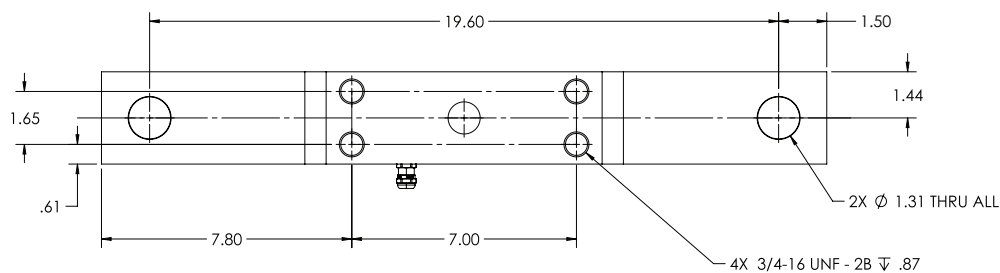
Order Information

Picture is a representation of actual product

Load Rating	Part#	Est. Weight	Price
Static 50,000 lbs	114326	24 lb	\$850.00
Dynamic 12,500 lbs			

Load Cell Cable Option

Part#	Description	Price
115954	30 ft cable with connector	\$150.00
166650	20 ft cable with connector	\$140.00



LOAD CELL

RLD-10K

Alloy Steel, Environmentally Sealed, IP67



Specifications

- Full Scale Output:**
3.0 mV/V at 10,000 lb
- Output Resistance:**
700 (nominal)
- Input Resistance:**
780 (nominal)
- Material/Finish:**
Alloy steel
- Temperature:**
14°F to 104°F (-10°C to 40°C)
- Rated Excitation:**
5-15VDC
- Non-linearity:**
±0.03% full scale
- Insulation Resistance:**
10 gigohms at 50VDC
- Seal Type:**
Environmentally sealed, IP67
- Connector Type:**
Amphenol, 5-pin (male)
- Connection Pin Out:**
A - Excitation +
B - Signal +
C - Signal -
D - Excitation -
E - Shield
- Warranty:**
One-year limited warranty

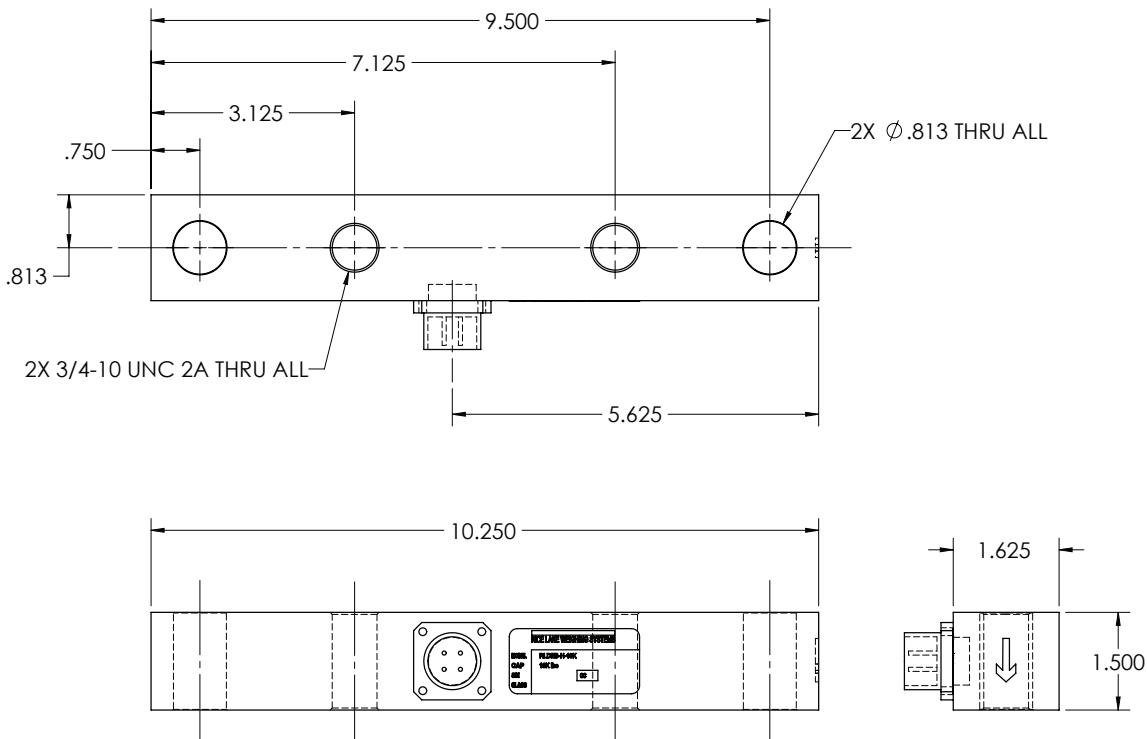
Order Information

Picture is a representation of actual product

Load Rating	Part#	Est. Weight	Price
Static 10,000 lbs Dynamic 4,000 lbs	120959	6 lb	\$1,200.00

Load Cell Cable Option

Part #	Description	Price
170169	20 ft cable with connector	\$154.00

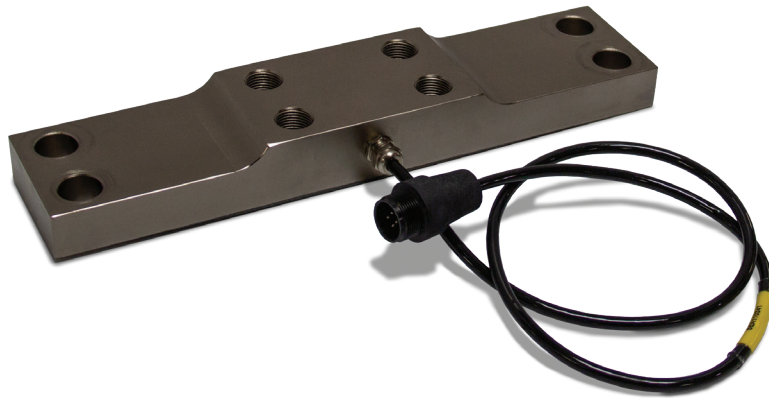


LOAD CELL
PL9000-14

Alloy Steel, Hermetically Sealed, IP68

Specifications

- Full Scale Output:**
0.50 mV/V at 12,500 lb
- Output Resistance:**
350 (nominal)
- Input Resistance:**
350 (nominal)
- Material/Finish:**
Alloy steel
- Temperature:**
-14° F to 104° F (-10° C to 40° C)
- Rated Excitation:**
15VDC (5-10V recommended)
- Non-linearity:**
±0.1% full scale
- Insulation Resistance:**
500 megohms at 50VDC
- Seal Type:**
Hermetically sealed, IP68
- Cable Length:**
32 in cable
- Connector Type:**
Conxall, 4-pin (male)
- Connection Pin Out:**
A - Excitation +
B - Signal +
C - Signal -
D - Excitation -
- Warranty:**
One-year limited warranty



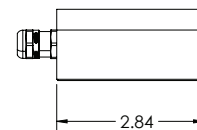
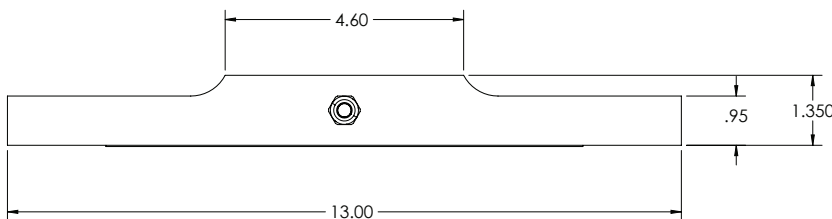
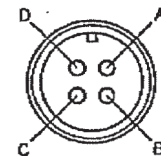
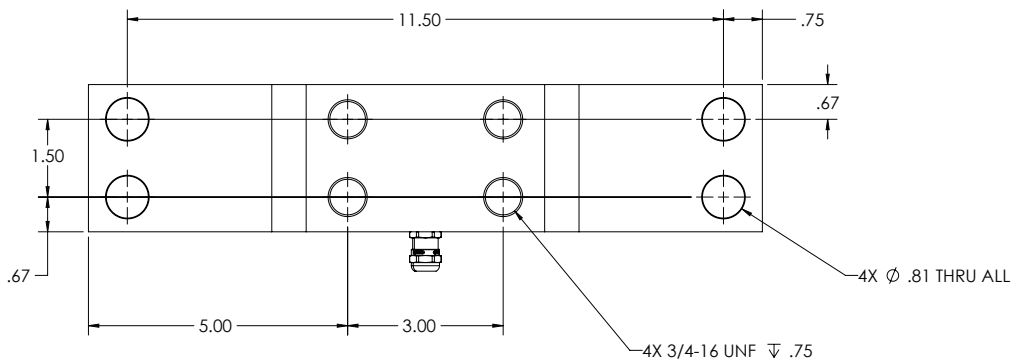
Order Information

Picture is a representation of actual product

Load Rating	Part#	Est. Weight	Price
Static 16,500 lbs Dynamic 10,000 lbs	114322	19 lb	\$725.00

Load Cell Cable Option

Part#	Description	Price
115954	30 ft cable with 4-pin connector	\$150.00
166650	20 ft cable with connector	\$140.00



LOAD CELL

PL9000-26

Alloy Steel, Hermetically Sealed, IP68



Specifications

- Full Scale Output:**
0.725 mV/V at 12,500 lb
- Output Resistance:**
350 (nominal)
- Input Resistance:**
350 (nominal)
- Material/Finish:**
Alloy steel
- Temperature:**
14° F to 104° F (-10° C to 40° C)
- Rated Excitation:**
15VDC (5-10V recommended)
- Non-linearity:**
±0.1% full scale
- Insulation Resistance:**
500 megohms at 50VDC
- Seal Type:**
Hermetically sealed, IP68
- Connector Type:**
Conxall, 4-pin (male)
- Connection Pin Out:**
A - Excitation +
B - Signal +
C - Signal -
D - Excitation -
- Warranty:**
One-year limited warranty

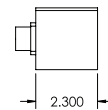
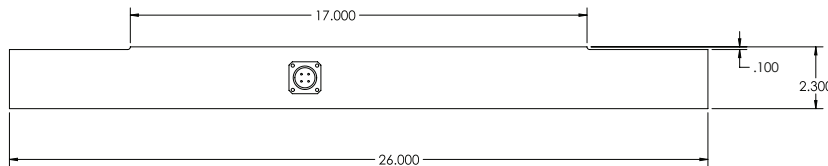
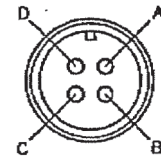
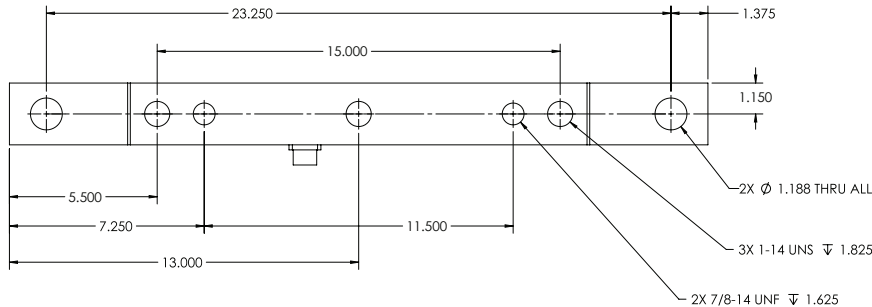
Order Information

Picture is a representation of actual product

Load Rating	Part#	Est. Weight	Price
Static 40,000 lbs Dynamic 20,000 lbs	114325	35 lb	\$995.00

Load Cell Cable Option

Part #	Description	Price
115954	30 ft cable with connector	\$150.00
166650	20 ft cable with connector	\$140.00

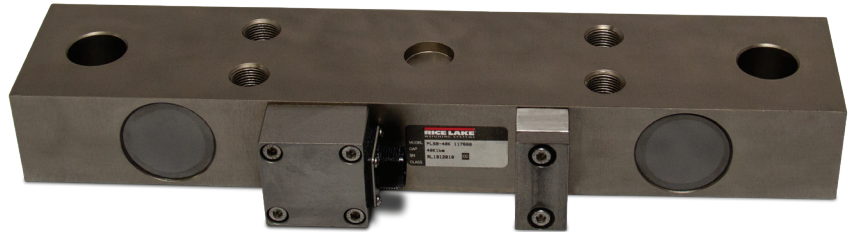


LOAD CELL
PLSB-40K

Alloy Steel, Hermetically Sealed, IP68

Specifications

- Full Scale Output:**
0.75 mV/V at 12,500 lb
- Output Resistance:**
350 (nominal)
- Input Resistance:**
350 (nominal)
- Material/Finish:**
Alloy steel
- Temperature:**
14°F to 104°F (-10°C to 40°C)
- Rated Excitation:**
15VDC (5-10V recommended)
- Non-linearity:**
±0.1% full scale
- Insulation Resistance:**
5,000 megohms at 50VDC
- Seal Type:**
Hermetically sealed, IP68
- Connector Type:**
Conxall, 4-pin (male)
- Connection Pin Out:**
A - Excitation +
B - Signal +
C - Signal -
D - Excitation -
- Warranty:**
One-year limited warranty

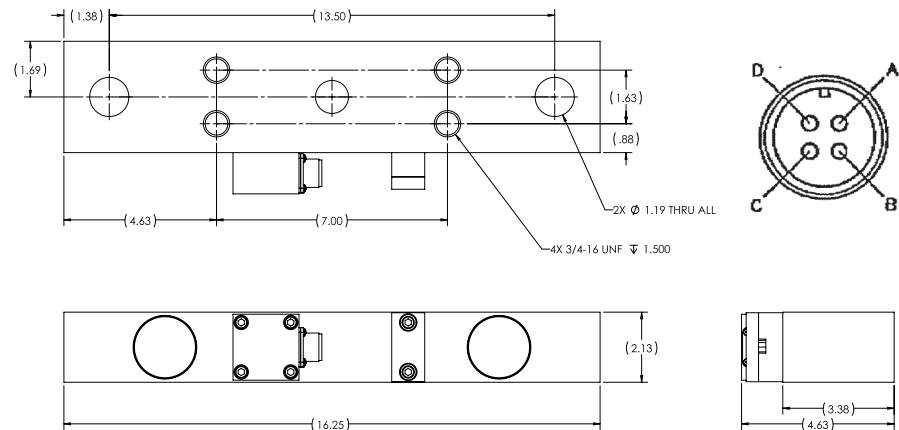


Order Information

Load Rating	Part#	Est. Weight	Price
Static 40,000 lbs Dynamic 20,000 lbs	117666	31 lb	\$1,075.00

Load Cell Cable Option

Part#	Description	Price
115954	30 ft cable with connector	\$150.00
166650	20 ft cable with connector	\$140.00



ONBOARD WEIGHING

www.ricelake.com | Phone: 800-472-6703

RICE LAKE

LOAD CELL

RLPLS-75K

Alloy Steel, Hermetically Sealed, IP68



Specifications

Material/Finish:

Alloy steel

Output:

(2) 10 mA - PN 115199 and PN 151456
(2) 20 mA - PN 169221

Temperature:

14° F to 104° F (-10° C to 40° C)

Insulation Resistance:

2,000 megohms at 50VDC

Seal Type:

Hermetically sealed, IP68

Connector Type:

Turck 7/8 in minifast, 5-pin (x2)

Connector Pin Out:

Pin 1: Loop Power
Pin 2: Current Loop
Pin 3: Shield
Pin 4: NC
Pin 5: Ground

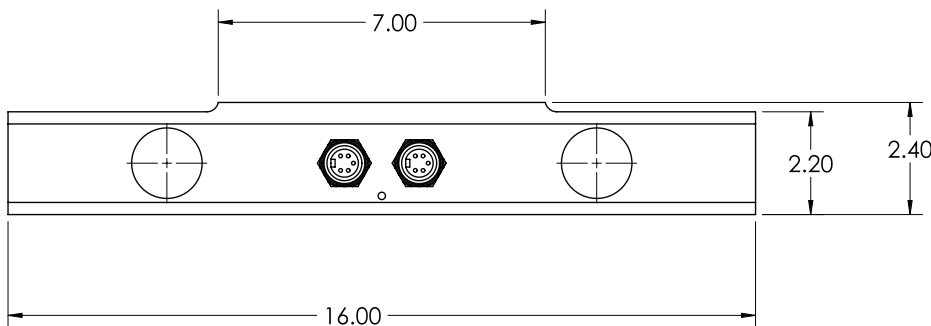
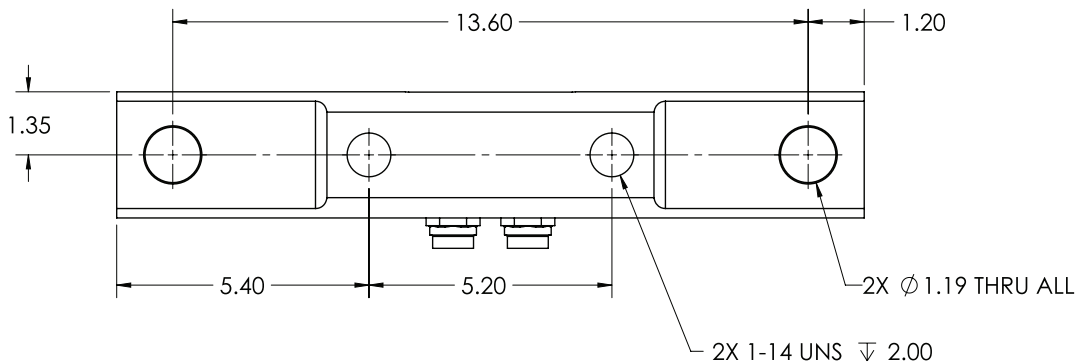
Warranty:

One-year limited warranty

Order Information

Picture is a representation of actual product

Load Rating		Part#	Est. Weight	Price
Static 75,000 lb	Dynamic 50,000 lbs	115199	32 lb	\$1,650.00
Static 75,000 lb	Dynamic 50,000 lbs	151456	32 lb	\$1,650.00
Static 75,000 lb	Dynamic 50,000 lbs	169221	32 lb	\$2,105.00



Specifications

Full Scale Output:

1.75 mV/V

Output Resistance:

722 (nominal)

Input Resistance:

700 (nominal)

Material/Finish:

Alloy steel

Temperature:

14°F to 104°F (-10°C to 40°C)

Rated Excitation:

15VDC (5-10V recommended)

Non-linearity:

±0.25% full scale

Insulation Resistance:

2,000 megohms at 50VDC

Seal Type:

Environmentally sealed, IP66

Cable Length:

20 ft - PN 179827

50 ft - PN 191898

Wire Color Code:

Red - Excitation +

Green - Signal +

White - Signal -

Black - Excitation

Drain Wire - Shield

Warranty:

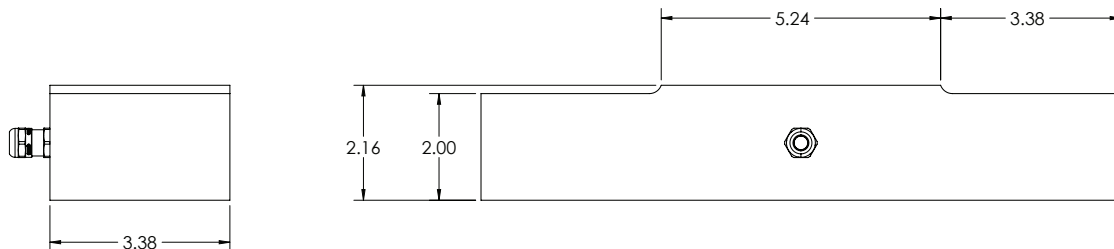
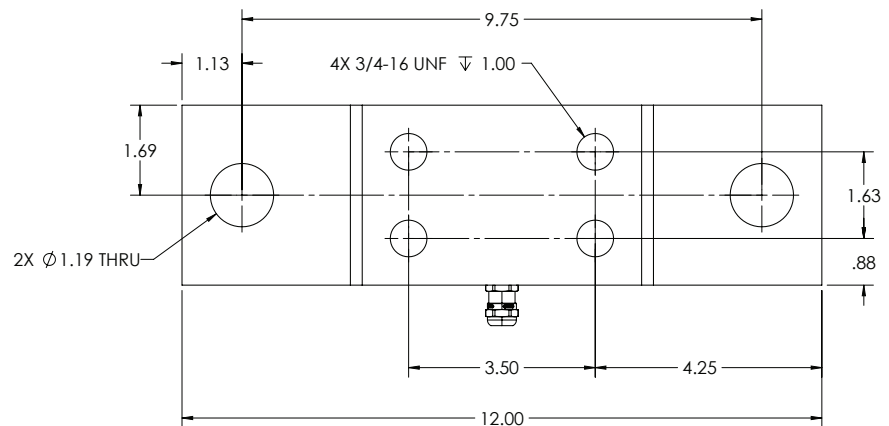
One-year limited warranty



Order Information

Picture is a representation of actual product

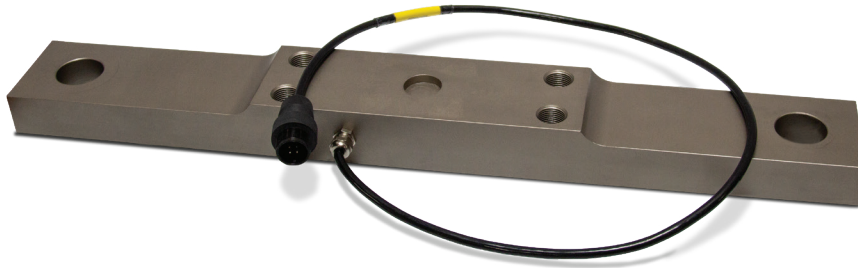
Load Rating		Part #	Est. Weight	Price
Static 25,000 lbs	Dynamic 10,000 lbs	179827	26 lb	\$1475.00
Static 25,000 lbs	Dynamic 10,000 lbs	191898	26 lbs	\$1535.00



LOAD CELL MOUNT

Dual Center Hanger Load Cell Kit

Alloy Steel, Hermetically Sealed, IP68



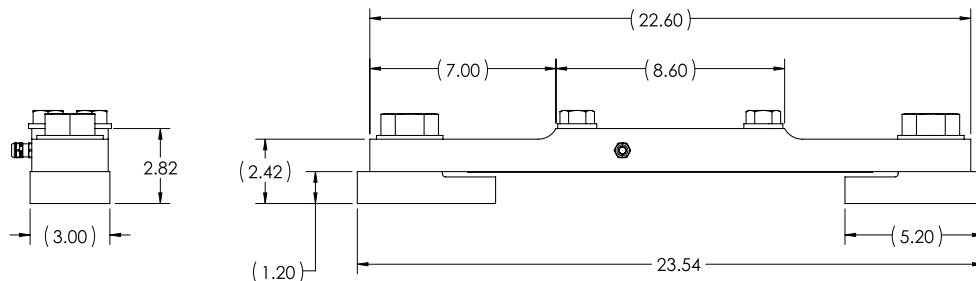
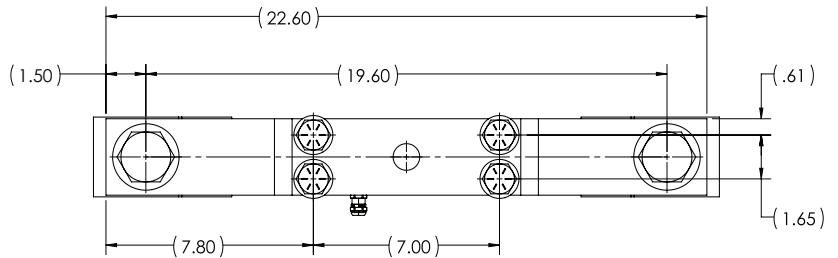
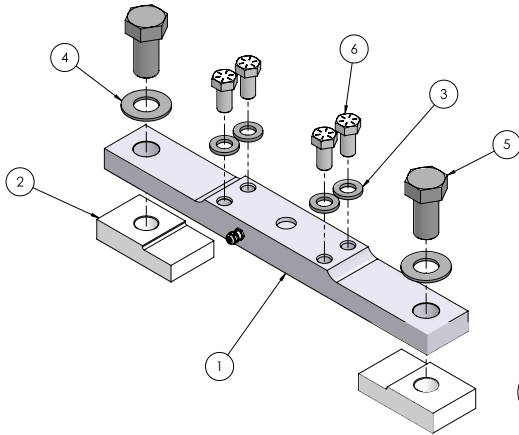
Specifications

- Full Scale Output:**
0.25 mV/V at 12,500 lb
- Output Resistance:**
350 (nominal)
- Input Resistance:**
350 (nominal)
- Material/Finish:**
Alloy steel
- Temperature:**
14° F to 104° F (-10° C to 40° C)
- Rated Excitation:**
15VDC (5-10V recommended)
- Non-linearity:**
±0.1% full scale
- Insulation Resistance:**
500 megohms at 50VDC
- Seal Type:**
Hermetically sealed, IP68
- Cable Length:**
32 in cable
- Connector Type:**
Conxall, 4-pin (male)
- Connection Pin Out:**
A - Excitation +
B - Signal +
C - Signal -
D - Excitation -
- Warranty:**
One-year limited warranty

Order Information

Picture is a representation of actual product

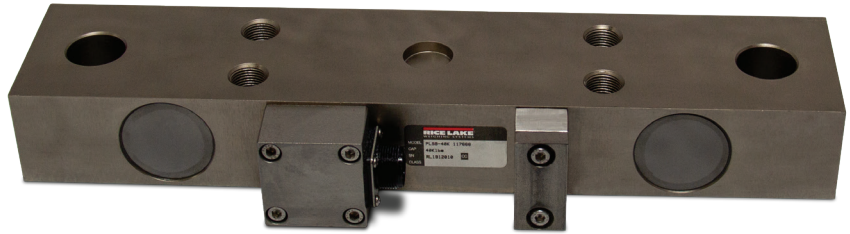
Item #	Part #	Description	Qty.	Kit Qty.
1	114326	Load Cell, PL9000-50	1	2
2	114338	Bearing Plate 1.2 x 3 5.2	2	4
3	114243	Washer, 3/4	4	8
4	114255	Washer, Plain 1-1/4 f436 Hardened	2	4
5	114343	Screw, Cap 1-1/4 12UNF x 2-1/2 Hex Head Grade 8	2	4
6	114240	3/4-16 x 1-1/2 Grd8 Bolt	4	8
	114190	Transmitter, 2 LED LC	1	1
	114201	Cable 80'	1	1



LOAD CELL MOUNT
PLSB-40K Mount
 Alloy Steel, Hermetically Sealed, IP68

Specifications

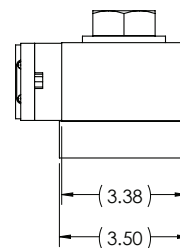
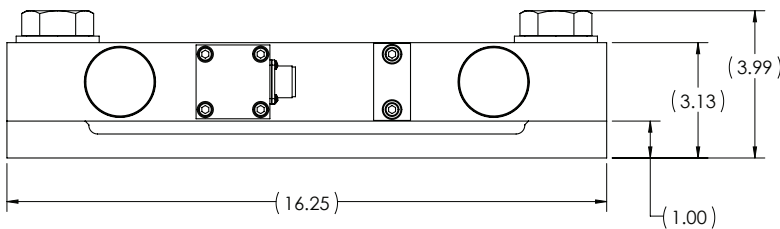
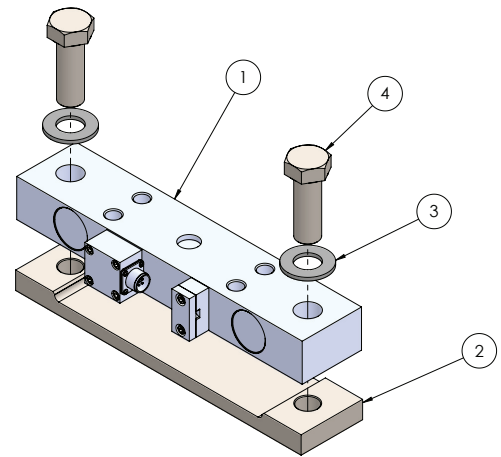
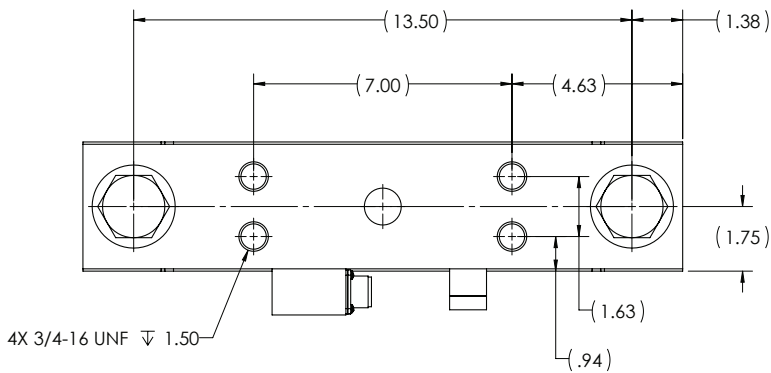
- Full Scale Output:**
1.75 mV/V
- Output Resistance:**
722 (nominal)
- Input Resistance:**
700 (nominal)
- Material/Finish:**
Alloy steel
- Temperature:**
-14° F to 104° F (-10° C to 40° C)
- Rated Excitation:**
15VDC (5-10V recommended)
- Non-linearity:**
±0.25% full scale
- Insulation Resistance:**
2,000 megohms at 50VDC
- Seal Type:**
Environmentally sealed, IP68
- Cable Length:**
20 ft or 50 ft
- Wire Color Code:**
Red - Excitation +
Green - Signal +
White - Signal -
Black - Excitation
Drain Wire - Shield
- Warranty:**
One-year limited warranty



Order Information

Picture is a representation of actual product

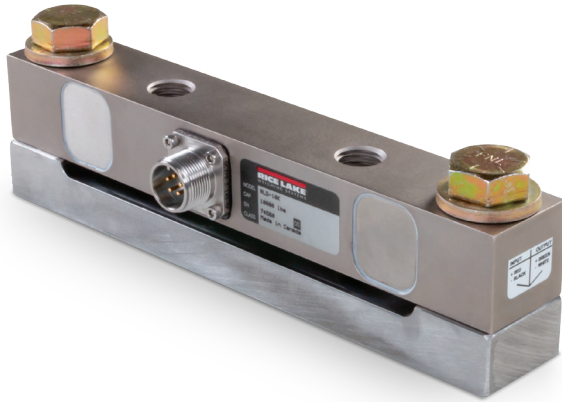
Item #	Part#	Description	Qty.
1	117666	Load Cell, PLSB-40K Clamp	1
2	116436	Bearing Plate, 1x3.5x16.25	1
3	114256	Washer, Plain 1-1/8	2
4	114342	Bolt, 1-1/8 12UNF x 3-1/4	2



LOAD CELL MOUNT

RLD-10K Mounting Kit

Dynamic Application Weigh Modules



Specifications

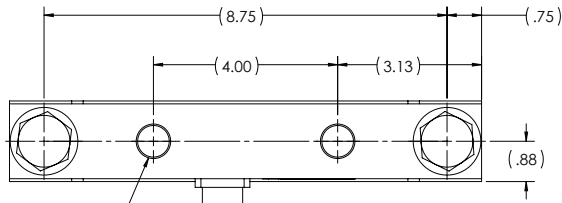
- Full Scale Output:**
3.0 mV/V at 10,000 lb
- Output Resistance:**
700 (nominal)
- Input Resistance:**
780 (nominal)
- Material/Finish:**
Alloy steel
- Temperature:**
14° F to 104° F (-10° C to 40° C)
- Rated Excitation:**
5-15VDC
- Non-linearity:**
±0.03% full scale
- Insulation Resistance:**
10 gigohms at 50VDC
- Seal Type:**
Environmentally sealed, IP67
- Connector Type:**
Amphenol, 5-pin (male)
- Connection Pin Out:**
A - Excitation +
B - Signal +
C - Signal -
D - Excitation -
E - Shield
- Warranty:**
One-year limited warranty

Order Information

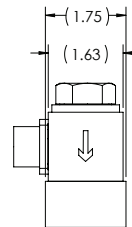
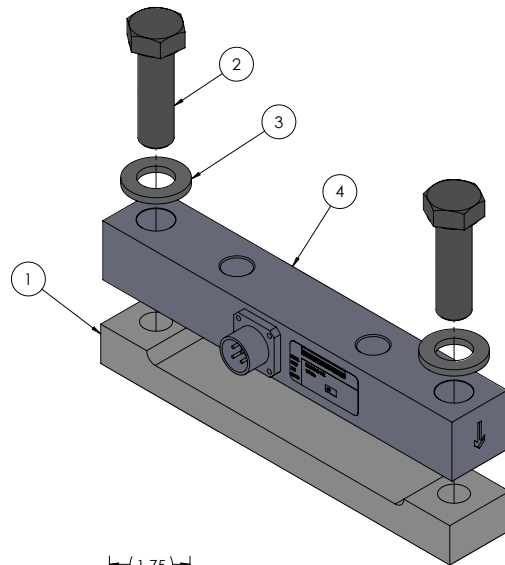
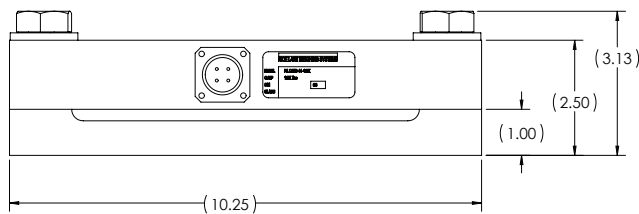
Picture is a representation of actual product

Load Rating	Part #	Price
Static 10,000 lbs	Dynamic 4,000 lbs	120959
		\$1264.00

Item #	Part #	Description	Price	Kit Qty.
1	115205	Bearing Plate	\$50.00	1
2	114242	Bolt, 3/4-16 x 2-1/2	\$6.00	2
3	114243	Washer, 3/4	\$1.00	2
4	120959	Load Cell, RLD-10K	\$1200.00	1

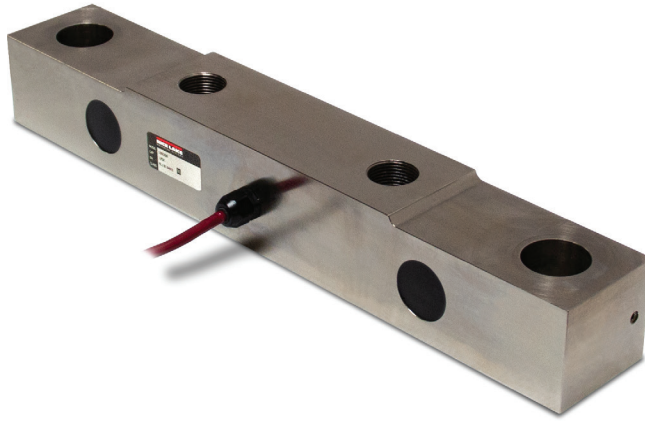


2X 3/4-10 UNC 2A THRU ALL



Specifications

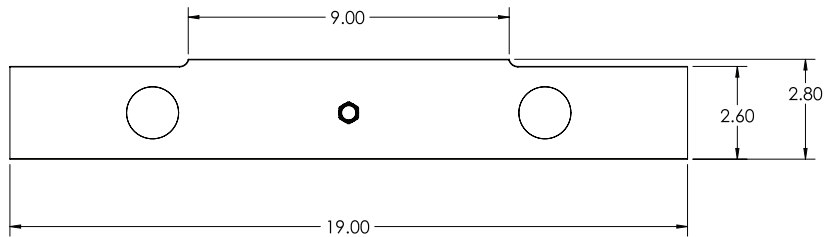
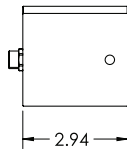
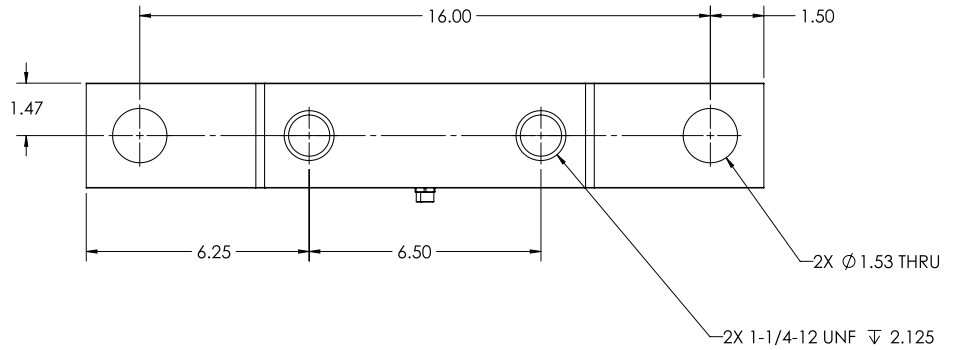
- Full Scale Output:**
1.75 mV/V
- Output Resistance:**
700 (nominal)
- Input Resistance:**
700 (nominal)
- Material/Finish:**
Alloy steel
- Temperature:**
14°F to 104°F (-10°C to 40°C)
- Rated Excitation:**
15VDC (5-10V recommended)
- Non-linearity:**
±0.25% full scale
- Insulation Resistance:**
2,000 megohms at 50VDC
- Seal Type:**
Environmentally sealed, IP66
- Cable Length:**
25 ft
- Wire Color Code:**
 Red - Excitation +
 Green - Signal +
 White - Signal -
 Black - Excitation
 Drain Wire - Shield
- Warranty:**
One-year limited warranty



Order Information

Picture is a representation of actual product

Load Rating	Part #	Est. Weight	Price
Static 125,000 lbs	189390	40 lbs	\$1495.00
Dynamic 62,000 lbs			



LOAD CELL

RLPLS-125K-mA

Alloy Steel, Environmentally Sealed, IP66



Specifications

Material/Finish:

Alloy steel

Output:

2-20 mA

Temperature:

14° F to 104° F (-10° C to 40° C)

Insulation Resistance:

2,000 megohms at 50VDC

Seal Type:

Environmentally sealed

Connector Type:

Turck 7/8 in minifast, 5-pin

Connector Pin Out:

- Pin 1: Loop Power
- Pin 2: Current Loop
- Pin 3: Shield
- Pin 4: NC
- Pin 5: Ground

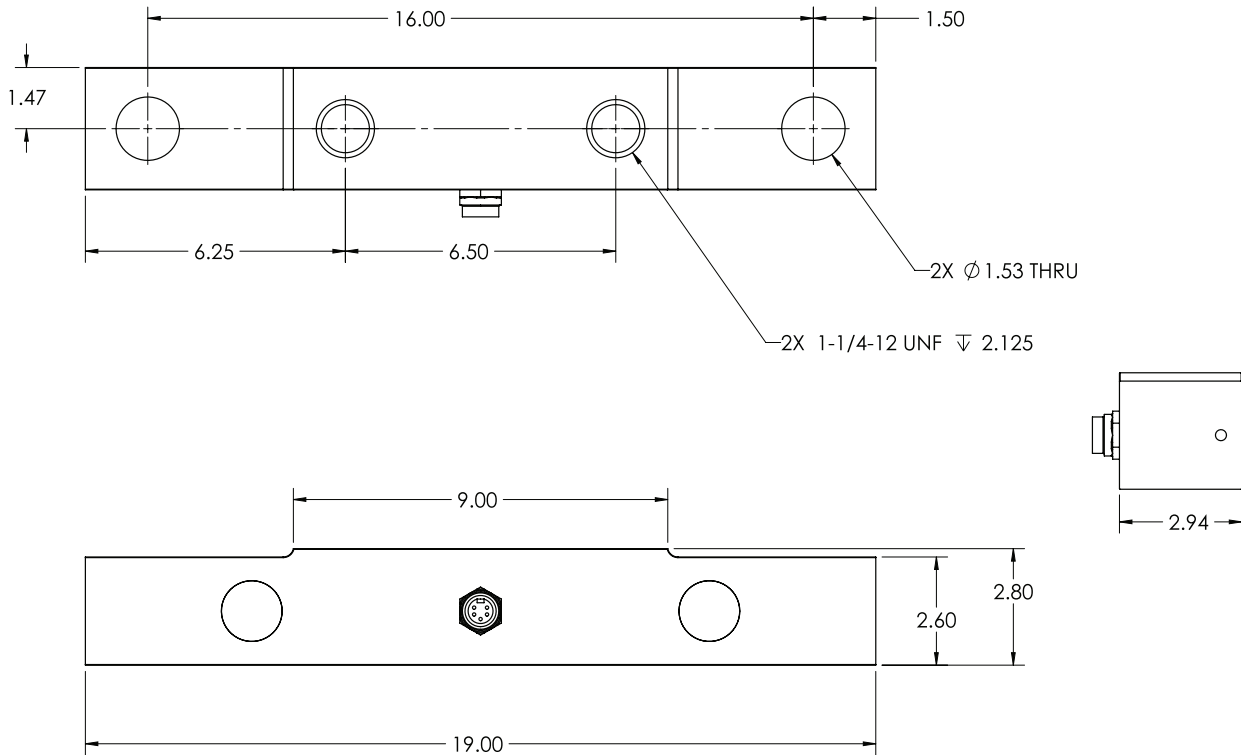
Warranty:

One-year limited warranty

Order Information

Picture is a representation of actual product

Load Rating		Part#	Est. Weight	Price
Static 125,000 lbs	Dynamic 62,000 lbs	175891	40 lbs	\$1,650.00



Load Pin - 2.5 Inch, 20K

Alloy Steel, Environmentally Sealed

Specifications**Full Scale Output:**

1.3 mV/V

Output Resistance:

350 (nominal)

Input Resistance:

350 (nominal)

Material/Finish:

Alloy steel

Temperature:

14°F to 104°F (-10°C to 40°C)

Rated Excitation:

15VDC (5-10V recommended)

Insulation Resistance:

500 megohms at 50VDC

Seal Type:

Environmentally sealed

Connector Type:

Turck, M12 4-pin male

Connection Pin Out:

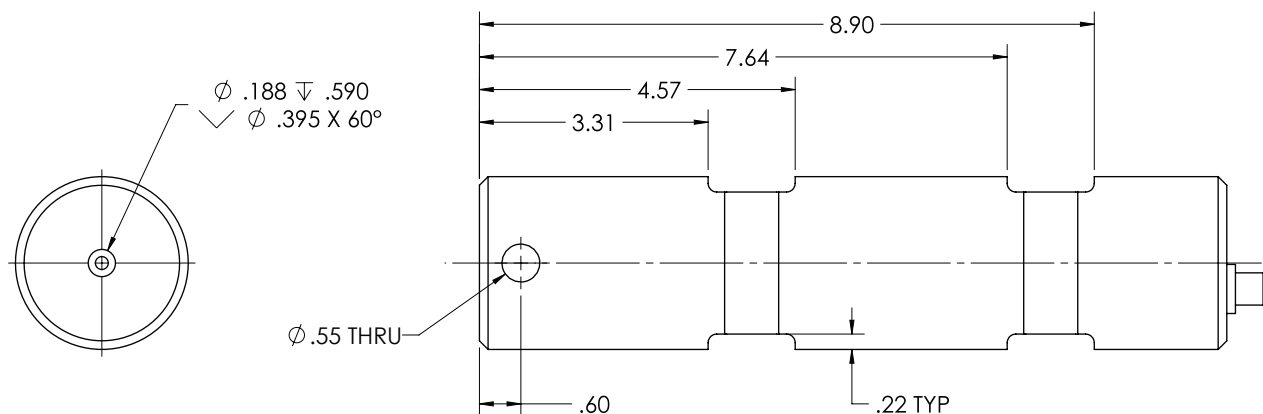
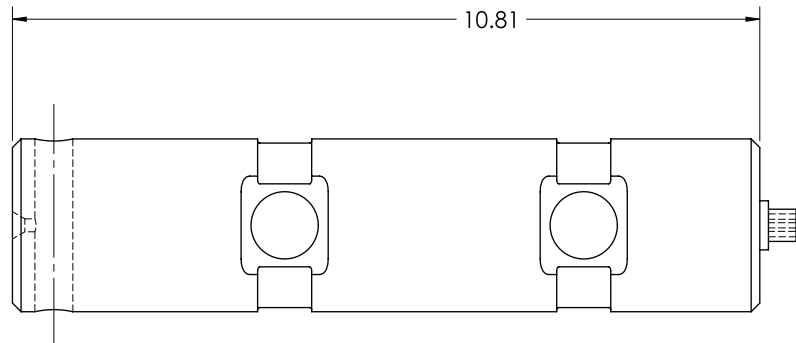
Pin 1 - Excitation +
 Pin 2 - Signal +
 Pin 3 - Excitation -
 Pin 4 - Signal -

Warranty:

One-year limited warranty

**Order Information***Picture is a representation of actual product*

Load Rating	Part #	Est. Weight	Price
20,000 lbs	131204	12 lbs	\$995.00



LOAD CELL

Load Pin - 2 Inch, 20K

Alloy Steel, Environmentally Sealed

ONBOARD WEIGHING



Specifications

Full Scale Output:

1.3 mV/V

Material/Finish:

Alloy steel

Temperature:

14° F to 104° F (-10° C to 40° C)

Rated Excitation:

15VDC (5-10V recommended)

Insulation Resistance:

500 megohms at 50VDC

Seal Type:

Environmentally sealed

Connector Type:

Turck, M12 4-pin male

Connection Pin Out:

Pin 1 - Excitation +

Pin 2 - Signal +

Pin 3 - Excitation -

Pin 4 - Signal -

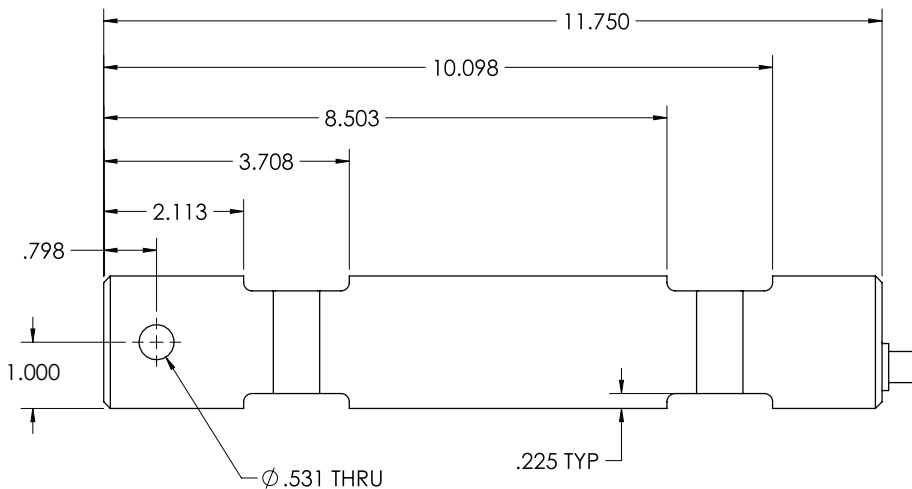
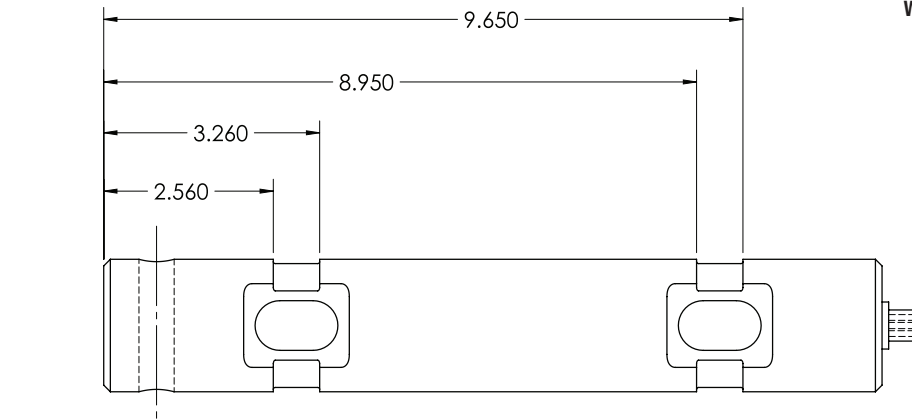
Warranty:

One-year limited warranty

Order Information

Picture is a representation of actual product

Load Rating	Part#	Est. Weight	Price
20,000 lbs	181895	10 lbs	\$995.00



www.ricelake.com | Phone: 800-472-6703

RICE LAKE

Load Pin - 1.25 Inch, 30K

Alloy Steel, Environmentally Sealed

Specifications

Seal Type:

Environmentally sealed

Connector Type:

Turck, M12 4-pin male

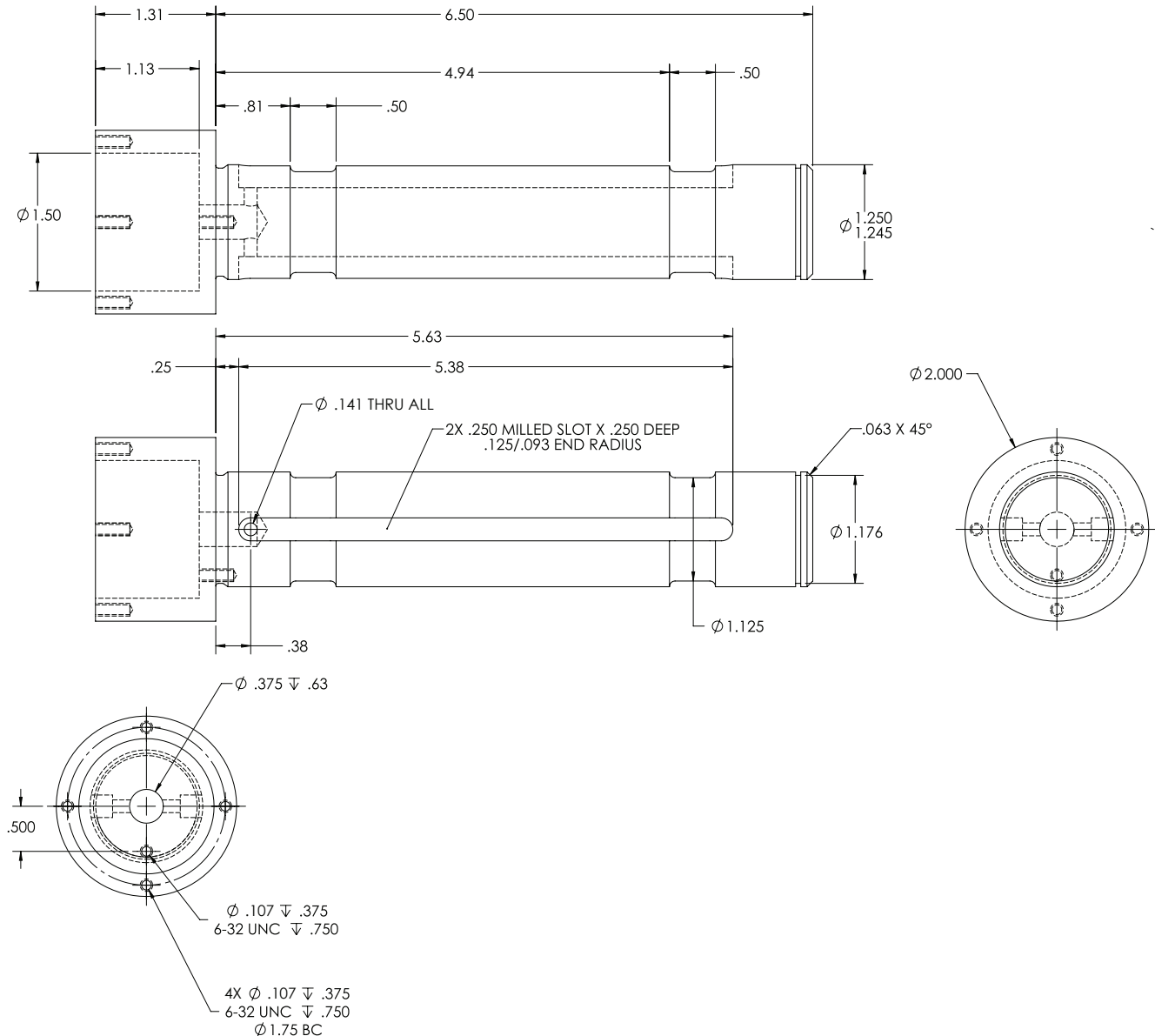
Warranty:

One-year limited warranty

Order Information

Picture is a representation of actual product

Load Rating	Part #	Est. Weight	Price
Static 30,000 lbs	190168	10 lbs	\$1,350.00



LOAD CELL

RL300H Hydraulic Transducer

Stainless Steel, Hermetically Sealed, IP68



Specifications

Full Scale Output:

2.5 mV/V

Material/Finish:

Stainless steel

Rated Excitation:

15VDC (5-10V recommended)

Seal Type:

Hermetically sealed, IP68

Cable Length:

16 ft

Connector Type:

Turck, M12 4-pin male

Wire Color Code:

Pin 1 - Brown - Excitation +

Pin 2 - White - Signal +

Pin 3 - Blue - Excitation -

Pin 4 - Black - Signal -

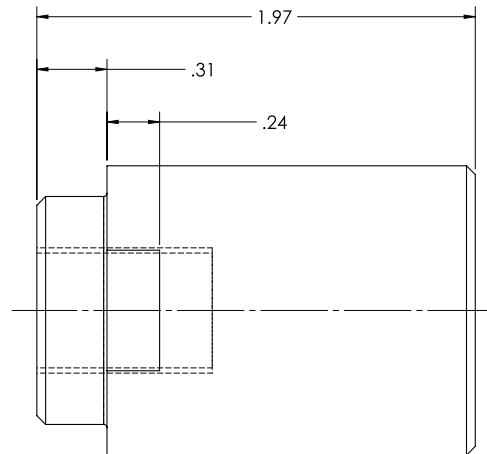
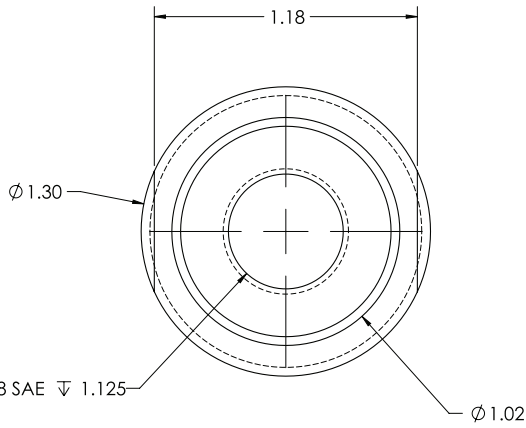
Warranty:

One-year limited warranty

Order Information

Picture is a representation of actual product

Load Rating	Part#	Est. Weight	Price
Pressure Range 0-5,000 PSI	131211	2 lbs	\$450.00



Specifications

Material/Finish:

Alloy steel

Seal Type:

Environmentally sealed, IP66

Cable Length:

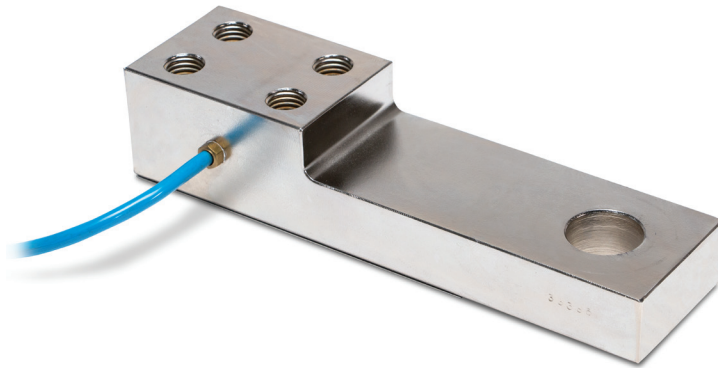
29 ft

Connector Type:

4-pin

Warranty:

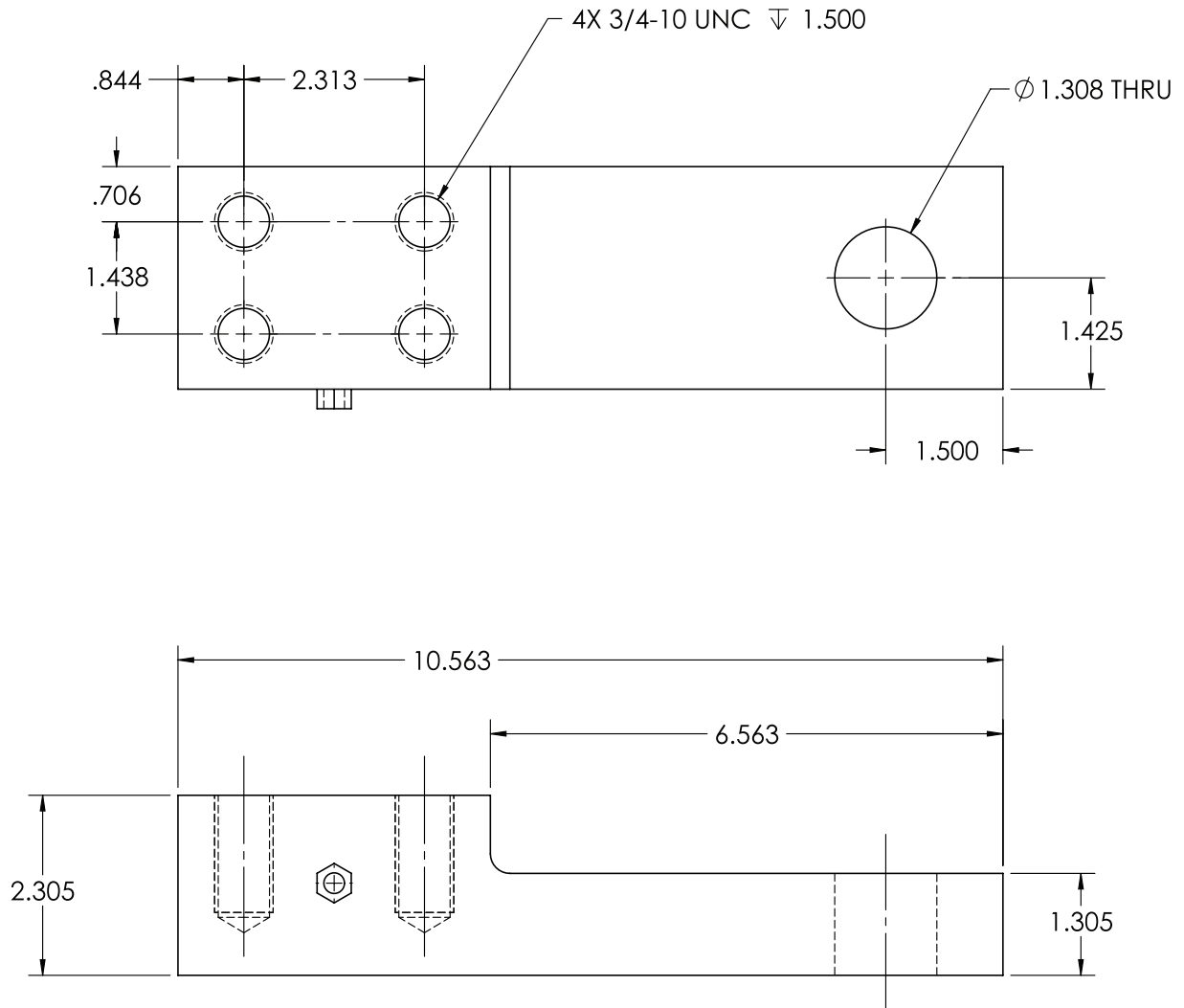
One-year limited warranty



Order Information

Picture is a representation of actual product

Load Rating	Part #	Est. Weight	Price
Static 7,000 lbs	116435	10 lbs	\$595.00



LOAD CELL

PL9100-5K

Stainless Steel, Environmentally Sealed, IP67



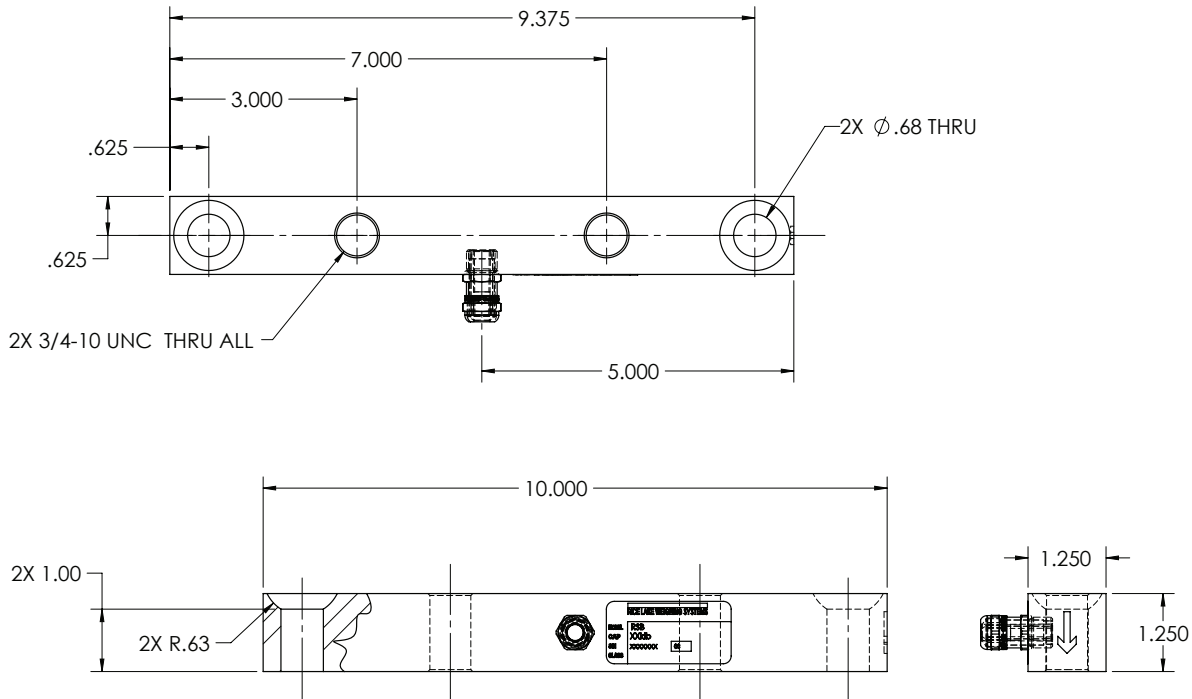
Specifications

- Full Scale Output:**
2.0 mV/V
- Output Resistance:**
700 (nominal)
- Input Resistance:**
736 (nominal)
- Material/Finish:**
Stainless steel
- Temperature:**
14° F to 104° F (-10° C to 40° C)
- Rated Excitation:**
5-15VDC
- Non-linearity:**
±0.03% full scale
- Insulation Resistance:**
5 gighms at 50VDC
- Seal Type:**
Environmentally sealed, IP67
- Cable Length:**
60 in
- Wire Color Code:**
Red - Excitation +
Green - Signal +
Black - Excitation -
White - Signal -
Yellow - Shield
- Warranty:**
One-year limited warranty

Order Information

Picture is a representation of actual product

Load Rating	Part#	Est. Weight	Price
Static 5,000 lbs	203398	6 lb	\$740.00



LOAD CELL
PL9200-25K
 Stainless Steel, Hermetically Sealed, IP69

Specifications

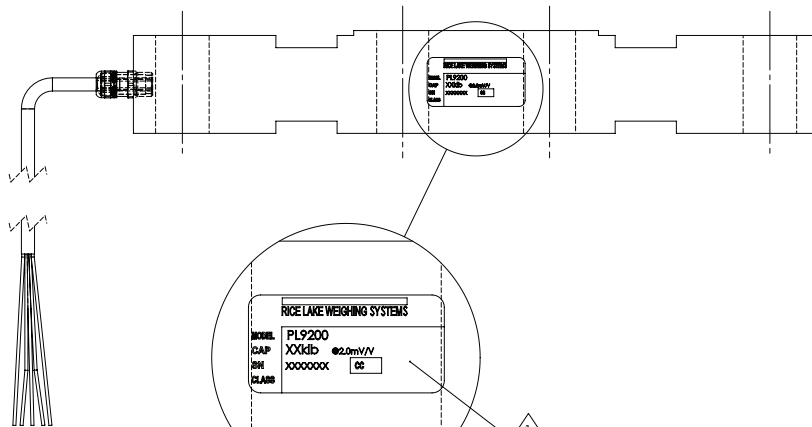
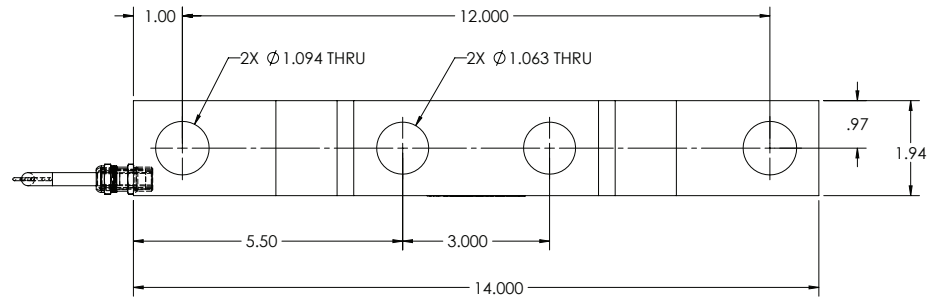
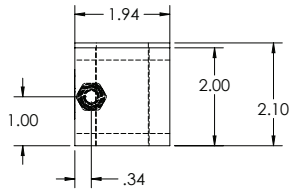
- Full Scale Output:**
2.0 mV/V
- Output Resistance:**
700 (nominal)
- Input Resistance:**
736 (nominal)
- Material/Finish:**
Stainless steel
- Temperature:**
14°F to 104°F (-10°C to 40°C)
- Rated Excitation:**
15VDC (5-10V recommended)
- Non-linearity:**
±0.25% full scale
- Insulation Resistance:**
5,000 mega ohms at 50VDC
- Seal Type:**
Hermetically sealed, IP69
- Cable Length:**
25 ft
- Wire Color Code:**
Red - Excitation +
Green - Signal +
Black - Excitation -
White - Signal -
Yellow - Shield
- Warranty:**
One-year limited warranty



Order Information

Picture is a representation of actual product

Load Rating	Part #	Est. Weight	Price
25,000 lb	209603	25 lb	\$1,195.00
35,000 lb	210812	25 lb	\$1,195.00



DETAIL A
SCALE 1 : 1

LOAD CELL

PL9120

Stainless Steel, Hermetically Sealed, IP69



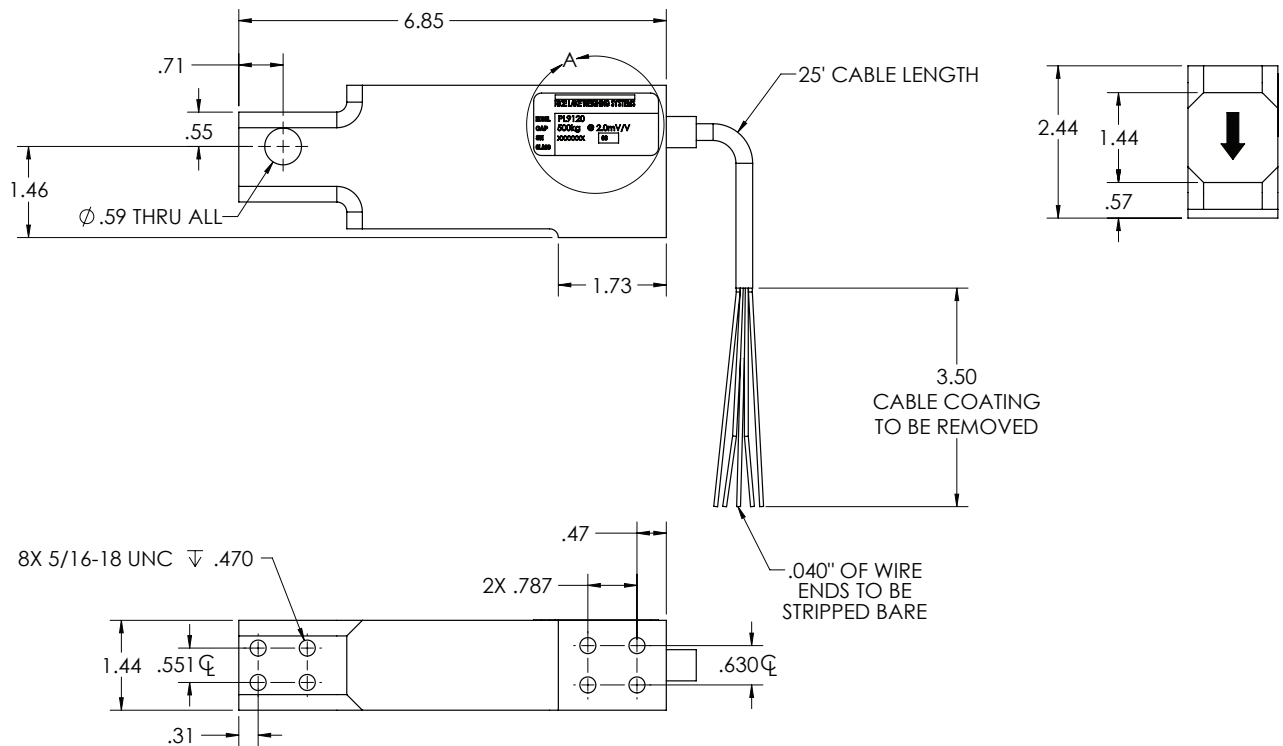
Specifications

- Full Scale Output:**
2.0 mV/V
- Output Resistance:**
350 (nominal)
- Input Resistance:**
385 (nominal)
- Material/Finish:**
Stainless steel
- Temperature:**
14°F to 104°F (-10°C to 40°C)
- Rated Excitation:**
5-15VDC
- Non-linearity:**
±0.03% full scale
- Insulation Resistance:**
5 mega ohms at 50VDC
- Seal Type:**
Hermetically sealed, IP69
- Cable Length:**
25 ft
- Wire Color Code:**
Red - Excitation +
Green - Signal +
Black - Excitation -
White - Signal -
Yellow - Shield
- Warranty:**
One-year limited warranty

Order Information

Picture is a representation of actual product

Load Rating	Part#	Est. Weight	Price
Static 500 kg	205775	6 lb	\$875.00



Specifications

Full Scale Output:

2.0 mV/V

Output Resistance:

700 (nominal)

Input Resistance:

736 (nominal)

Material/Finish:

Stainless steel

Temperature:

14°F to 104°F (-10°C to 40°C)

Rated Excitation:

5-15VDC

Non-linearity:

±0.03% full scale

Insulation Resistance:

5,000 mega ohms at 50VDC

Seal Type:

Hermetically sealed, IP69

Cable Length:

25 ft

Wire Color Code:

Red - Excitation +
 Green - Signal +
 Black - Excitation -
 White - Signal -
 Yellow - Shield

Warranty:

One-year limited warranty



Order Information

Picture is a representation of actual product

Load Rating	Part #	Est. Weight	Price
Static 2,000 lbs	204610	6 lb	\$740.00
Static 5,000 lbs	204611	6 lb	\$740.00
Static 10,000 lbs	204612	6 lb	\$740.00
Static 20,000 lbs	204613	6 lb	\$740.00

