

AX3040

Alloy Steel, Environmentally Sealed, IP66



Picture is a representation of actual product

Specifications

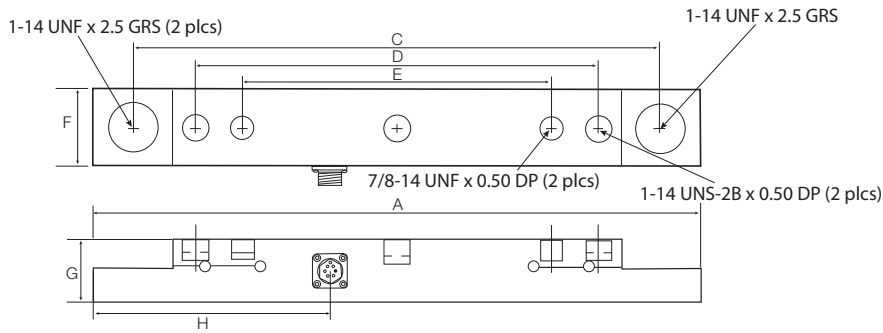
- Full Scale Output:**
0.5 mV/V at 12,500 lb
- Output Resistance:**
350 ohm (nominal)
- Input Resistance:**
350 ohm (nominal)
- Material/Finish:**
Alloy steel
- Temperature:**
Operating range
0 °F to 150 °F (-18 °C to 65 °C)
- Seal Type:**
Environmentally sealed, IP66
- Manufacturer Model Number:**
8300420-10
- Rated Excitation:**
15 VDC
- Non-linearity:**
±1.0% full scale
- Insulation Resistance:**
5,000 megohm at 50 VDC
- Warranty:**
One-year limited

Order Information

Load Rating	Part #	Est. Weight	Price
20,000 lb	111766	30 lb	Consult

Dimensions

Rated Capacity	A	B	C	D	E	F	G	H
20,000 lb/in	22.60	24.60	19.60	15.00	11.50	2.84	2.38	8.80



VPG REVERE