

# Translink™ Parallel Link

Truck Scale Assembly, Rice Lake Weighing Systems



Mount only; does not include load cell.  
Picture is a representation of actual product.

## Standard Features

- Capacities: 25,000 to 100,000 lb
- Center-supported, end-loaded double-ended shear beam design
- Free movement in all directions in the horizontal plane with virtually no friction
- Links provide optimal loading conditions for the cell
- Completely self-centering
- Requires no check rods
- Utilizes cells with 3 mV/V output
- Models available are RL75223 and RL75040, VPG Revere® 5223 and VPG Sensortronics® 65040A load cells

## Applications

- Truck scale mount
- Heavy-capacity horizontal tanks

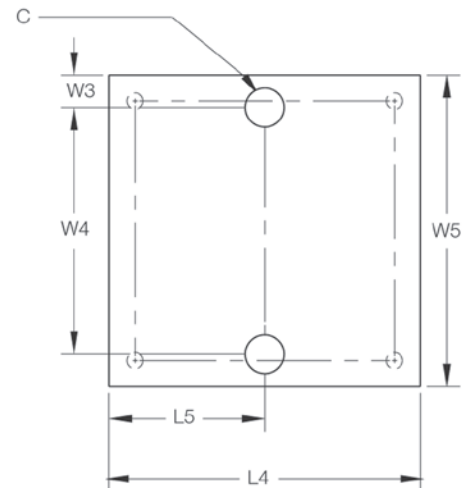
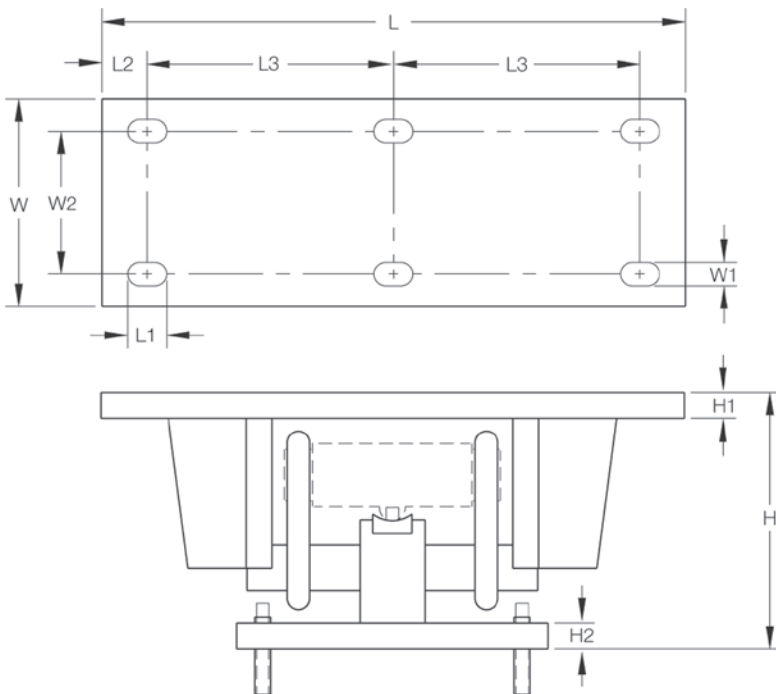
## Order Information

Load Rating (Per Module)	Part #	Price
<b>For Use With RL75223, 5223 Load Cells</b>		
50,000 lb to 100,000 lb	<b>17970</b>	Consult
<b>For Use With RL75040, 65040A Load Cells</b>		
25,000 lb to 40,000 lb	<b>17971</b>	Consult
50,000 lb to 75,000 lb	<b>17972</b>	Consult

Mount only; does not include load cell

## Dimensions

Rated Capacity lb/in	C	H	H1	H2	L	L1	L2	L3	L4	L5	W	W1	W2	W3	W4	W5
50,000 to 100,000 (RL75223, 5223)	1.50	12.93	1.00	1.00	22.50	1.50	1.75	9.50	11.75	5.88	7.75	0.91	5.25	1.25	9.25	11.75
25,000 to 40,000 (RL75040, 65040A)	1.50	9.88	1.00	1.00	18.50	1.50	1.75	7.50	11.75	5.88	7.75	0.91	5.25	1.25	9.25	11.75
50,000 to 75,000 (RL75040, 65040A)	1.50	12.82	1.00	1.00	22.50	1.50	1.75	9.50	11.75	5.88	7.75	0.91	5.25	1.25	9.25	11.75



WEIGH MODULES