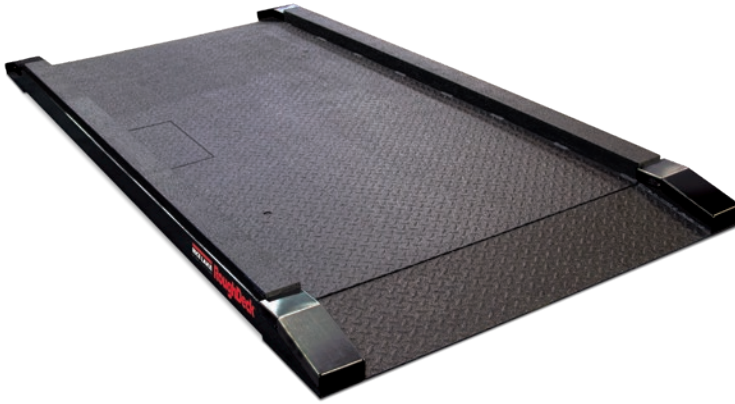


# RoughDeck® LP

Low Profile Floor Scale



## Standard Features

- Painted mild steel
- Diamond tread scale top plate and ramps
- Live side rails
- Self-centering ball and load receiver plate load introduction
- Top-access junction box
- Four alloy steel, environmentally sealed, single-ended load cells

## Specifications

### End Load Capacity:

100% full scale at 2,000 lb

### Cable Length:

20 ft (6.1m) for connecting junction box to indicator

### Junction Box:

EL204 signal trim

### Welding:

Stitch, consult factory if continuous is required

### Threaded Eyebolt:

Two holes (1/2-20 NF)

### Weighing Surface Dimensions:

(L × W × H)  
72.00 × 36.00 × 1.81 in

### Warranty:

Two-year limited

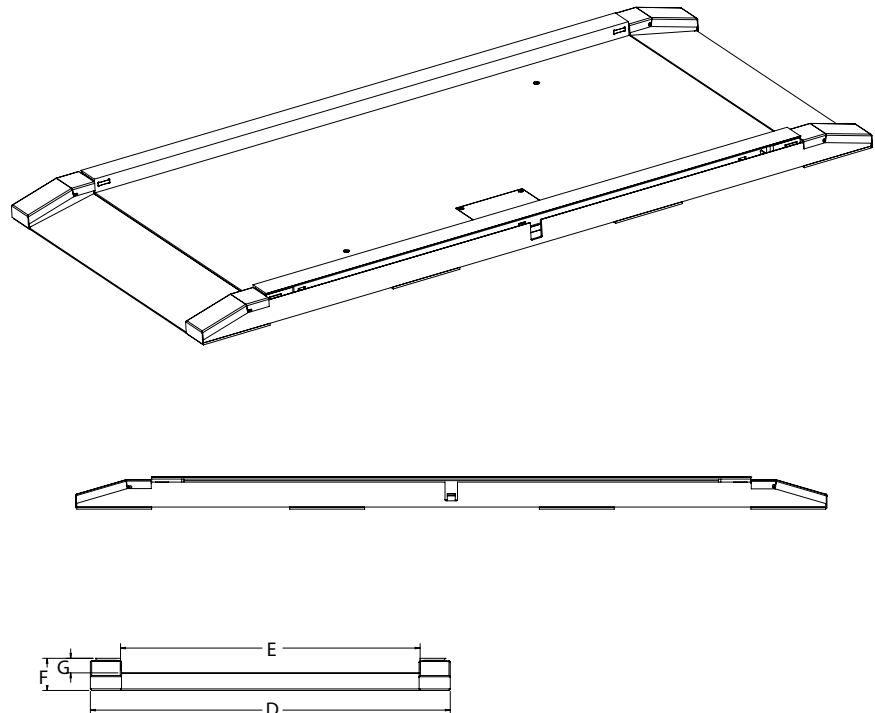
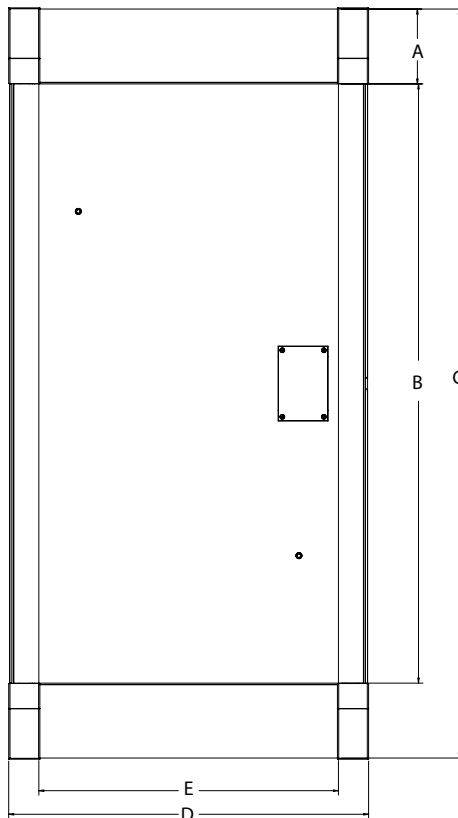
## Part Number/Price

Part #	Size (W × L) Not including Side Rails	Capacity	Ramp Angle of Incline	Est. Weight	Price
204615	36 × 72 in	2,000 × 0.5 lb	12°	565 lb	Consult

## Dimensions

A	9.00 in	E	36.00 in
B	72.00 in	F	3.90 in
C	90.25 in	G	1.75 in
D	43.25 in		

Note: 1 in=25.4 mm



FLOOR SCALES