

# RoughDeck® FXB

Painted Steel and Stainless Steel, Flexure Lever Floor Scale



Approvals



FLOOR SCALES

## Part Number/Price

Part #	Size (W × L × H)	Capacity	Est. Weight	Price
<b>Painted Steel</b>				
33134	18 in × 24 in × 6.5 in	500 lb (250 kg)	125 lb	Consult
33066	18 in × 24 in × 6.5 in	1,000 lb (500 kg)	125 lb	Consult
113566	18 in × 30 in × 6.5 in	500 lb (250 kg)	133 lb	Consult
33136	18 in × 30 in × 6.5 in	1,000 lb (500 kg)	133 lb	Consult
113567	18 in × 30 in × 6.5 in	1,500 lb (750 kg)	133 lb	Consult
33067	24 in × 24 in × 6.5 in	500 lb (250 kg)	151 lb	Consult
33068	24 in × 24 in × 6.5 in	1,000 lb (500 kg)	151 lb	Consult
33138	30 in × 30 in × 6.5 in	500 lb (250 kg)	191 lb	Consult
33069	30 in × 30 in × 6.5 in	1,000 lb (500 kg)	191 lb	Consult
33139	30 in × 30 in × 6.5 in	1,500 lb (750 kg)	191 lb	Consult
33070	30 in × 30 in × 8.25 in	2,000 lb (1,000 kg)	281 lb	Consult
33140	36 in × 36 in × 8.25 in	1,000 lb (500 kg)	234 lb	Consult
33071	36 in × 36 in × 8.25 in	2,000 lb (1,000 kg)	234 lb	Consult
33072	36 in × 36 in × 8.25 in	5,000 lb (2,500 kg)	234 lb	Consult
33141	38 in × 46 in × 8.25 in	1,000 lb (500 kg)	610 lb	Consult
113569	38 in × 46 in × 8.25 in	2,000 lb (1,000 kg)	610 lb	Consult
113570	38 in × 46 in × 8.25 in	5,000 lb (2,500 kg)	610 lb	Consult
113572	48 in × 48 in × 8.25 in	1,000 lb (500 kg)	654 lb	Consult
33073	48 in × 48 in × 8.25 in	2,000 lb (1,000 kg)	654 lb	Consult
33074	48 in × 48 in × 8.25 in	5,000 lb (2,500 kg)	654 lb	Consult
33075	48 in × 48 in × 9.25 in	10,000 lb (5,000 kg)	735 lb	Consult
33078	48 in × 60 in × 9.25 in	10,000 lb (5,000 kg)	845 lb	Consult
33149	48 in × 72 in × 9.25 in	5,000 lb (2,500 kg)	1,120 lb	Consult
33080	48 in × 72 in × 9.25 in	10,000 lb (5,000 kg)	1,120 lb	Consult
33081	60 in × 60 in × 8.25 in	5,000 lb (2,500 kg)	967 lb	Consult
33082	60 in × 60 in × 9.25 in	10,000 lb (5,000 kg)	1,180 lb	Consult
<b>Stainless Steel</b>				
113581	24 in × 24 in × 6.5 in	500 lb (250 kg)	151 lb	Consult
113582	24 in × 24 in × 6.5 in	1,000 lb (500 kg)	151 lb	Consult
113586	30 in × 30 in × 8.25 in	2,000 lb (1,000 kg)	281 lb	Consult
113588	36 in × 36 in × 8.25 in	2,000 lb (1,000 kg)	450 lb	Consult
113595	48 in × 48 in × 8.25 in	5,000 lb (2,500 kg)	630 lb	Consult
113596	48 in × 48 in × 11.25 in	10,000 lb (5,000 kg)	735 lb	Consult
113613	60 in × 72 in × 11.25 in	10,000 lb (5,000 kg)	1,290 lb	Consult

## Options/Accessories

Part #	Description	Price
Consult	FXB forklift skid, constructed with (2) 8" wide painted steel channels attached to FXB scale frame per customer's specified center-to-center distance Note: For FXB-3846 through FXB-6084 scales only	Consult
Consult	FXB forklift skid with indicator column, constructed with (2) 8" wide painted steel channels attached to FXB scale frame per customer's specified center-to-center distance, one channel extended beyond frame 12" with 54" indicator column Note: For FXB-3846 through FXB-6084 scales only	Consult

NOTE: Indicator stand works with 120/120 Plus, 480/480 Plus, 482/482 Plus, 880/880 Plus, 882S/882S Plus, 882IS/882IS Plus w/battery, 680 Synergy

## Standard Features

### Painted Steel

- Unique flexure design filters motion and shock loading
- Spring steel flexures
- Rugged all-steel painted construction smooth deck
- One Rice Lake Weighing Systems brand RL20000 series nickel-plated s-beam load cell and plated wire rope
- NTEP Certified models in sizes 24 × 24 in (500 lb) through 72 × 96 in up to 10,000 lb capacity

### Stainless Steel

- Unique flexure design filters motion and shock loading
- All 304 stainless steel construction, smooth deck
- Stainless flexures, hardware and load cell
- NTEP Certified models in sizes 24 × 24 in (500 lb) through 72 × 96 in up to 10,000 lb capacity

## Specifications

### End Loading Capacity:

100% of scale capacity

### Safe Overload Capacity:

150% of scale capacity

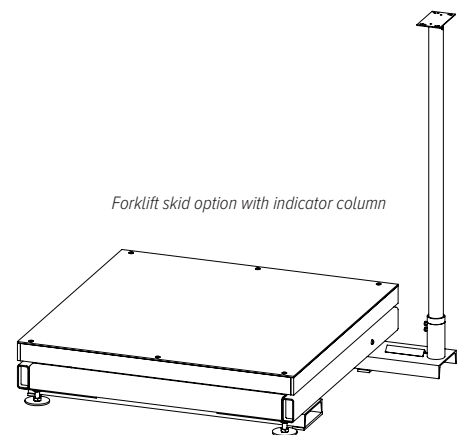
### Warranty:

Two-year limited

### Approvals:

Painted : NTEP CC 88-100, Class III 5,000 d

Stainless steel: NTEP CC 88-100, Class III 3,000 d



Forklift skid option with indicator column