

Module with hermetically sealed RLC compression canister load cell

Picture is a representation of actual product.

Load Cell Approvals



Order Information

Load Rating (Per Module)	Part #	Price
Single Module (Includes Load Cell)		
0.5t	36401	Consult
1t	36402	Consult
2t	36403	Consult
3.5t	36404	Consult
5t	36405	Consult
3-Module Kit		
0.5t	36406	Consult
1t	36407	Consult
2t	36408	Consult
3.5t	36409	Consult
5t	36410	Consult
4-Module Kit		
0.5t	36411	Consult
1t	36412	Consult
2t	36413	Consult
3.5t	36414	Consult
5t	36415	Consult

Replacement Rocker Pin Set*

Load Rating (Per Module)	Part #	Price
250 kg to 1 t	170875	Consult
2 t to 5 t	170876	Consult

*Kit includes upper cup, rocker pin and grease

Dimensions

Rated Capacity	H	H1	H2	L	L1	L2	T	W	W1	W2
ton/mm										
0.5 to 1	80.0	20.0	15.0	150.0	15.0	120.0	14.0 (top plate)	100.0	70.0	15.0
2 to 5	100.0	20.0	20.0	160.0	20.0	120.0	13.8 (bottom plate)	110.0	70.0	20.0

Complete Kit Includes

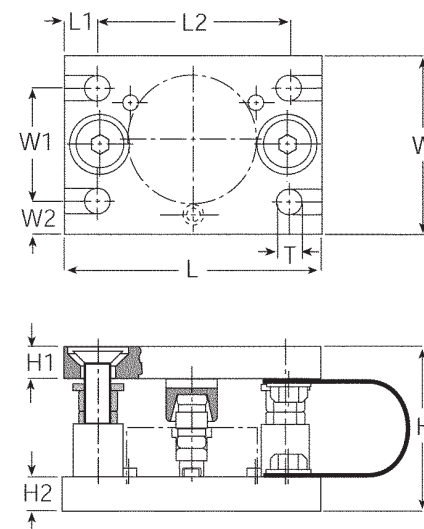
- One JB4SS NEMA Type 4X stainless steel signal trim junction box
- Three or four RLC stainless steel compression mounts
- Three or four RLC stainless steel hermetically sealed compression disk load cells
- 25 ft of hostile environment EL147HE SURVIVOR® load cell cable

Standard Features

- Capacities (per module): 0.5 to 5 t
- Matched output load cells eliminate trimming
- 304 stainless steel construction
- Rocker pin design allows movement in all directions
- Hermetically sealed, IP66/68 stainless steel load cells
- Easy load cell replacement
- Integral jacking/shipping bolts

Applications

- Medium-capacity tanks, bins and hoppers
- Washdown applications
- Process control and batch weighing



WEIGH MODULES