

# RL9000TWM-HT

Tank, Hopper and Vessel Weigh Module



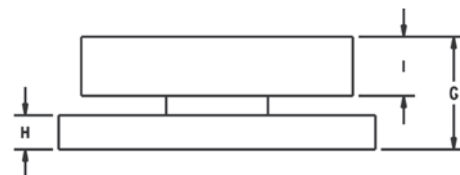
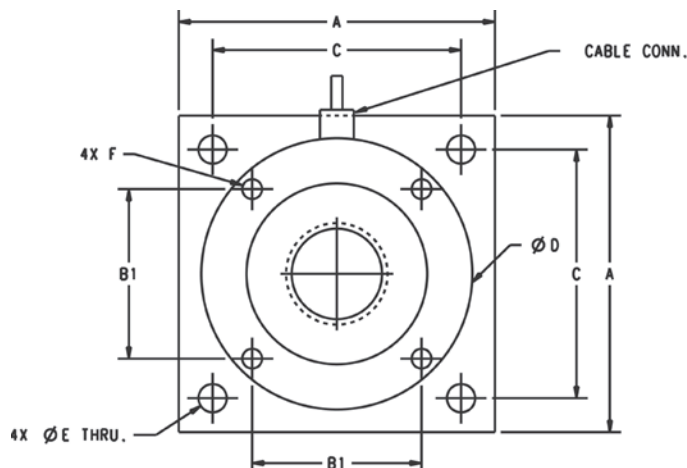
Picture is a representation of actual product.

## Order Information

Load Rating (per module)	Part #	Price
<b>Single Module</b>		
1,000 lb	117050	Consult
2,500 lb	117051	Consult
5,000 lb	117052	Consult
10,000 lb	117140	Consult
15,000 lb	117053	Consult
20,000 lb	117054	Consult
25,000 lb	117055	Consult
35,000 lb	117056	Consult
50,000 lb	117057	Consult
<b>Top Plates (Stainless Steel) with bolts</b>		
1,000 lb to 15,000 lb	91207	Consult
20,000 lb to 50,000 lb	91210	Consult
<b>Top Plates (Mild Steel) with bolts</b>		
1,000 to 15,000 lb	124758	Consult
20,000 to 50,000 lb	125141	Consult

## Dimensions

Rated Capacity	A	B1	C	D	E	F	G	H	I	Conduit Adapter
lb/in										
1,000 to 10,000	4.00	2.00	3.25	3.50	0.40	3/8-16 UNC	1.35	0.375	0.75	-
15,000	4.00	2.00	3.25	3.50	0.40	3/8-16 UNC	1.60	0.625	0.75	-
20,000 to 50,000	7.00	3.75	5.50	6.00	0.63	1/2-13 UNC	2.48	0.750	1.30	1/2-14NPT



## Standard Features

- Capacities: 1,000 to 50,000 lb
- Very low profile design
- 3 mV/V output
- Self-centering
- Self-checking assembly
- Offers 100% side load, 100% uplift, 150% safe load and 300% ultimate overload protection
- Stainless steel construction
- Welded seal
- Weighs accurately with as much as a 3° non-parallel load
- Integral 25 ft PTFE cable

## Optional Features

- Stainless steel top plates
- Higher capacities available upon request

## Applications

- Tank, hopper or vessel weighing
- High temperature applications

## Specifications

### Full Scale Output:

3 (± 0.1%) mV/V

### Bridge Resistance:

700 ohm

### Material/Finish:

Stainless steel

### Safe Overload:

150% Full scale

### Non-linearity:

0.05% full scale

### Non-repeatability:

0.02% full scale

### Operating Temperature:

0 °F to 400 °F

### Insulation Resistance:

5,000 megohm

### Seal Type:

Welded seal, IP67

### Deflection at Capacity:

1 to 15 K: 0.002 in  
20 to 50 K: 0.004 in

### Cable Length:

25 ft PTFE Jacket

### Cable Color Code:

Green +Excitation  
Black -Excitation  
White +Signal  
Red -Signal

### Warranty:

Two-year limited

WEIGH MODULES