

RL1200 EM System

Electromechanical Portable Beam Scale and 380 Indicator



Standard Features

- NTEP Certified
- Cast iron construction
- 1,000 lb capacity
- Heavy-duty wheels and handle for portability
- 380 Synergy, LCD display (batteries not included, External AC adapter optional)

Specifications

Construction:

Cast-iron platform, base and levers

Platform Dimensions:

(L x W): 24 in x 18 in

Capacity:

1,000 lb

Approvals:

NTEP Certified 93-004 Class III 2,000d (avoirdupois beam only)

Warranty:

One-year limited warranty

Approvals

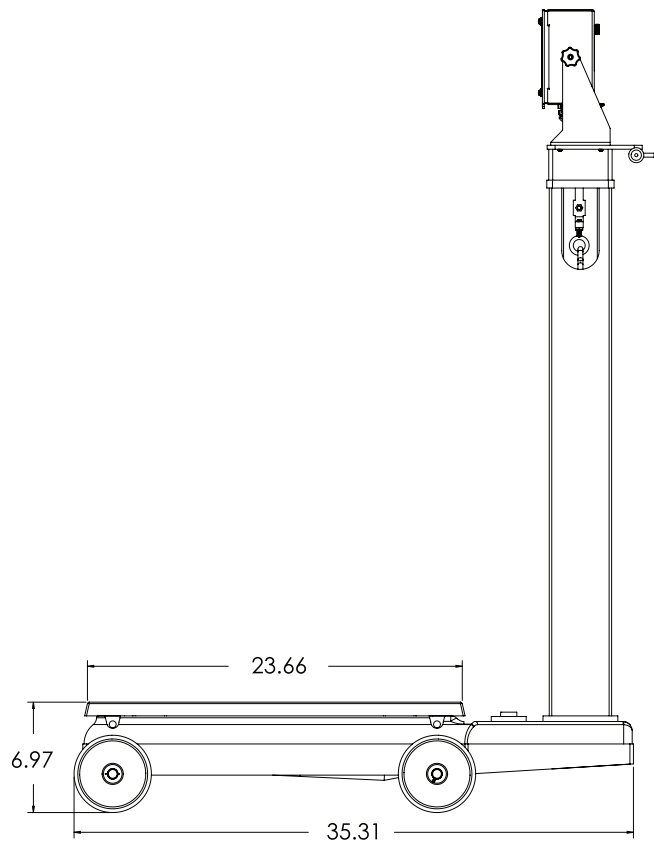
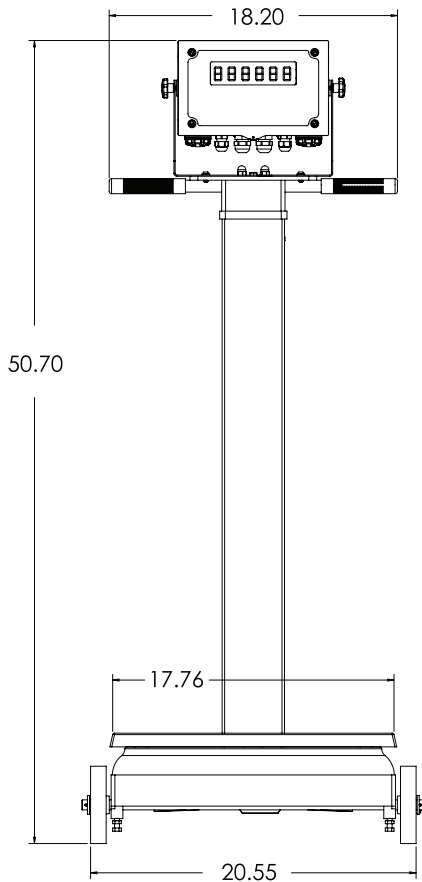


Part Number/Price

Part #	Overall Size (W x L x H)	Capacity	Est. Weight	Price
216112	Portable beam with 380 Synergy	1,000 lb x 0.5 lb	200 lb	\$2,175.00

Options/Accessories

Part #	Description	Price
206433†	380 indicator external AC adapter	\$52.00



FLOOR SCALES