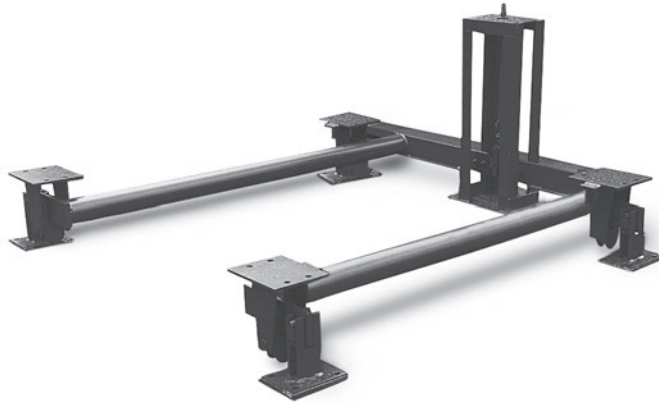


Pipe Lever Scale



Approvals



Part Number/Price

Part #	Dimensions	Est. Weight	Price
25,000 lb			
29587	62 5/8 × 62 5/8 in	532 lb	Consult
29586	60 1/2 × 66 in	528 lb	Consult
29588	66 1/2 × 91 in	640 lb	Consult
29589	64 × 64 in	538 lb	Consult
35008	62 × 92 in	561 lb	Consult
35009	62 × 105 in	720 lb	Consult
40409	72 × 72 in	618 lb	Consult
83433	64 3/4 × 64 3/4 in	567 lb	Consult
25,000 lb Stainless Steel			
46264	62 5/8 × 62 5/8 in	405 lb	Consult
46265	60 1/2 × 66 in	550 lb	Consult
46266	66 1/2 × 91 in	610 lb	Consult
50172	64 × 64 in	550 lb	Consult
50173	62 × 92 in	680 lb	Consult
50174	62 × 105 in	720 lb	Consult
40,000 lb			
39152	5 × 5 ft	1,885 lb	Consult
39153	6 × 6 ft	1,975 lb	Consult
39154	7 × 7 ft	2,220 lb	Consult
39155	8 × 8 ft	2,310 lb	Consult
39156	9 × 9 ft	2,545 lb	Consult
39157	10 × 10 ft	2,635 lb	Consult
50,000 lb			
39158	5 × 5 ft	2,010 lb	Consult
39159	6 × 6 ft	2,120 lb	Consult
39160	7 × 7 ft	2,385 lb	Consult
39161	8 × 8 ft	2,495 lb	Consult
39162	9 × 9 ft	2,750 lb	Consult
39163	10 × 10 ft	2,860 lb	Consult

Standard Features

- NTEP Certified and Measurement Canada Approved models available
- RL20000 alloy steel load cell standard (prices include load cell and ITCM load cell assembly)
- Mild steel construction, black paint finish
- Stainless steel, hermetically sealed load cells available
- Custom sizes and capacities available from 5,000 to 60,000 lb

Specifications

End Load Capacity:

100% full scale

mV/V Output:

1.50 to 1.87 mV/V nominal

Cable Length:

20 ft (6.1 m)

Warranty:

One-year limited

Approvals:

NTEP CC 94-126

Class III/IIII

Measurement Canada Approved, AM-5114, Legal For Trade on sizes greater than 1.6 m, or a capacity greater than 10,000 kg



Custom sizes fit your tank/hopper system for fewer modifications and less installation time.