

RoughDeck® HP

Forklift SENDit Portability Frames, NTEP

NEW

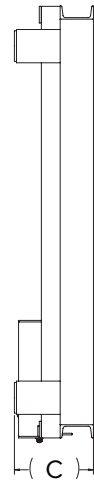
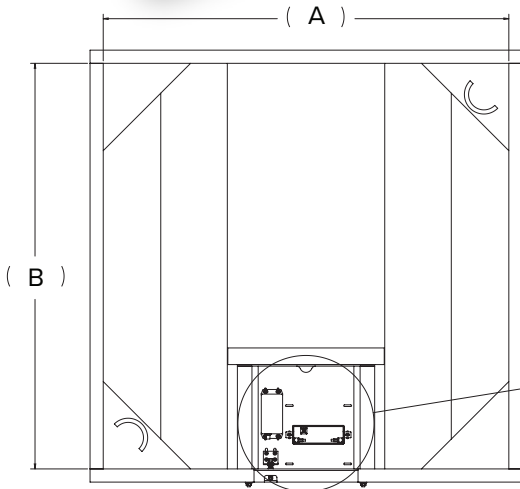


Scale is sold separately

Standard Features

- Wireless connection from scale to operator display
- Excitation to the load cell(s) provided by the transmitter, not the indicator
- Each transmitter/receiver set is individually paired and will not interfere with another set
- Transmitter excitation voltage: +4.8 VDC, 16 × 350 ohm or 32 × 700 ohm load cells
- Estimated battery life of 100 hours
- Two set points with red/green display for operator verification
- Optional audible alarm

FLOOR SCALES



Approvals



Part Number/Price

Part #	Size (W × L)	Est. Weight	Price
Roughdeck HP Portability Frame			
210900	Roughdeck HP 4 ft × 4 ft, up to 10,000 lb capacity, frame only	350 lb	Consult
210901	Roughdeck HP 5 ft × 5 ft, up to 10,000 lb capacity, frame only	395 lb	Consult
SENDit Wireless Electronics Kit			
210899	Sendit wireless load cell interface kit, NTEP, Includes one 8004HD Display	-	Consult

Dimensions

Scale Size	4 ft x 4 ft	5 ft x 5 ft
A	48.75 in	60.75 in
B	48.75 in	60.75 in
C	9.50 in	9.50 in

Note: 1 in=25.4 mm

Options/Accessories

Part #	Description	Price
162173	Battery, 6V SLA	Consult
74574	Foot	Consult