

# RoughDeck® HP

Forklift SENDit Portability Frames, Non-NTEP



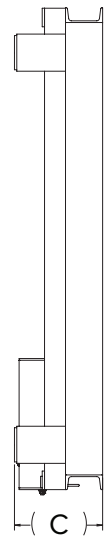
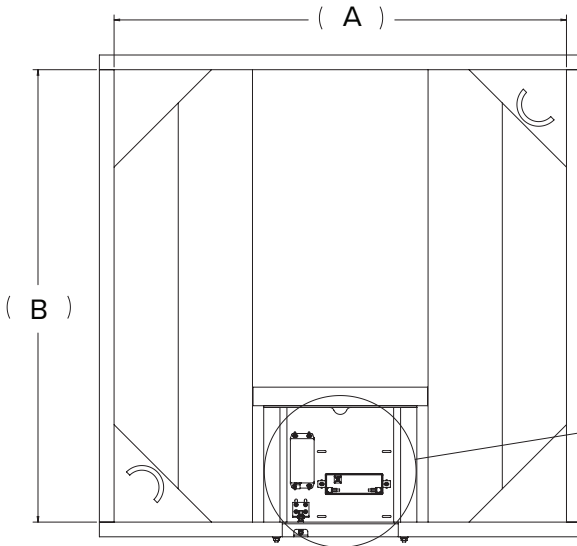
## Standard Features

- Wireless connection from scale to operator display
- Works with any basic digital weight indicator
- Excitation to the load cell(s) provided by the transmitter, not the indicator
- Transmitter excitation voltage: +4.8 VDC, 16 × 350 ohm or 32 × 700 ohm load cells
- Each transmitter/receiver set is individually paired and will not interfere with another set

FLOOR SCALES



Scale is sold separately



## Part Number/Price

Part #	Size (W × L)	Est. Weight	Price
<b>Roughdeck HP Portability Frame</b>			
210900	Roughdeck HP 4 ft × 4 ft, up to 10,000 lb capacity, frame only	350 lb	Consult
210901	Roughdeck HP 5 ft x 5 ft, up to 10,000 lb capacity, frame only	395 lb	Consult
<b>SENDit Wireless Electronics Kit</b>			
210898	SENDit wireless load cell interface kit, non-NTEP, indicator not included (customer to supply)	-	Consult

## Options/Accessories

Part #	Description	Price
162173	Battery, 6 V SLA	Consult
74574	Foot	Consult

## Dimensions

Scale Size	4 x 4 ft	5 x 5 ft
A	48.75 in	60.75 in
B	48.75 in	60.75 in
C	9.50 in	9.50 in

Note: 1 in=25.4 mm