

DeckHand

Portable Floor Scale



Approvals



Part Number/Price

Part #	Platform Size (W × L)	Overall Size (W × L × H)	Capacity	Est. Weight	Price
Mild Steel					
41293	24.25 × 30.375 in	31 × 41 × 4.5 in	500 lb	336 lb	Consult
41294	24.25 × 30.375 in	31 × 41 × 4.5 in	1,000 lb	356 lb	Consult
41295	24.25 × 30.375 in	31 × 41 × 4.5 in	2,000 lb	373 lb	Consult
Mild Steel, with conductive wheel for use with 882IS					
211285	24.25 × 30.375 in	31 × 41 × 4.5 in	500 lb	336 lb	Consult
211286	24.25 × 30.375 in	31 × 41 × 4.5 in	1,000 lb	356 lb	Consult
211287	24.25 × 30.375 in	31 × 41 × 4.5 in	2,000 lb	373 lb	Consult
Stainless Steel					
41296	24.25 × 30.375 in	31 × 41 × 4.5 in	500 lb	336 lb	Consult
41297	24.25 × 30.375 in	31 × 41 × 4.5 in	1,000 lb	356 lb	Consult
41298	24.25 × 30.375 in	31 × 41 × 4.5 in	2,000 lb	373 lb	Consult

Options/Accessories

Part #	Description	Ramp Angle of Incline	Price
Mild Steel			
43376	500/1,000 lb mild steel ramp	9°	Consult
43378	2,000 lb mild steel ramp	9°	Consult
Stainless Steel			
43377	Ramp assembly, 500/1,000 lb, stainless steel, 27 in x 25 in	7.2°	Consult
43379	Ramp assembly, 2,000 lb, stainless steel, 27 in x 25 in	7.2°	Consult
Consult	Smooth top		N/C
Mounting Brackets			
41371	Mounting bracket for 882IS/882IS Plus with battery		Consult

Standard Features

- Mild or stainless steel wheeled frame, base and mast
- Diamond tread top plate, mild or stainless steel
- Large rubber wheels (not rated for IS) simplify movement on uneven floors
- Two IP67 aluminum load cells
- Standard indicator mount with integral handles for the 380/380X Synergy, 480/480 Plus, 482/482 Plus, 880/880 Plus and 680 Synergy

Specifications

End Load Capacity:

100% end loading

Cable length:

9 ft 10 in (3 m)

mV/V Output:

2 mV/V

Weighing Platter:

4.5 in height when in weigh mode

Column Height:

59 in

Warranty:

Weldment: Five-year

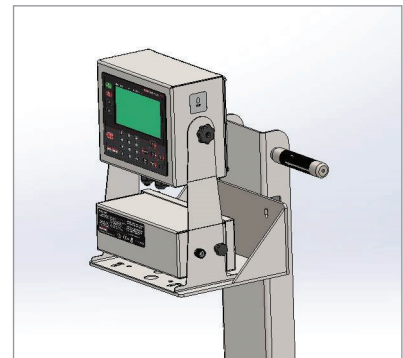
Load cells: Two-year

All other components: One-year

Approvals:

NTEP Certified, CC 98-004, Class III, 2,500 d

Measurement Canada approved, AM-5218



Mounting bracket for 882IS/882IS Plus with battery

