

# RoughDeck® HP

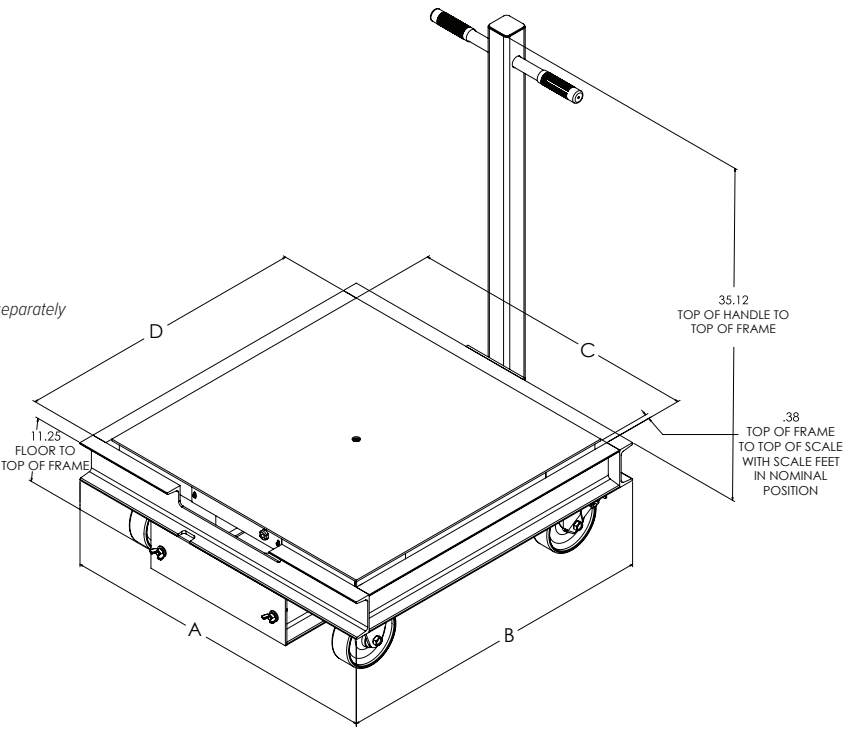
Caster SENDit Portability Frames, NTEP



FLOOR SCALES



Scale is sold separately



## Standard Features

- Wireless connection from scale to operator display
- Excitation to the load cell(s) provided by the transmitter, not the indicator
- Each transmitter/receiver set is individually paired and will not interfere with another set
- Transmitter excitation voltage: +4.8 VDC, 16 × 350 ohm or 32 × 700 ohm load cells
- Estimated battery life of 100 hours
- Two set -points with red/green display for operator verification
- Optional audible alarm

## Approvals



## Part Number/Price

Part #	Size (W × L)	Est. Weight	Price
<b>Roughdeck HP Caster Portability Frame</b>			
210902	2.5 × 2.5 ft, up to 5,000 lb capacity, two rigid forged steel caster on front, two swivel forged steel caster on back with drawer for SENDit, frame only	315 lb	Consult
210903	3 × 3 ft, up to 5,000 lb capacity, two rigid forged steel caster on front, two swivel forged steel caster on back with drawer for SENDit, frame only	330 lb	Consult
210904	4 × 4 ft, up to 5,000 lb capacity, two rigid forged steel caster on front, two swivel forged steel caster on back with drawer for SENDit, frame only	355 lb	Consult
210905	4 × 4 ft, up to 10,000 lb capacity, two rigid forged steel caster on front, two swivel forged steel caster on back with drawer for SENDit, frame only	355 lb	Consult
<b>SENDit Wireless Electronics Kit</b>			
210899	Sendit wireless load cell interface kit, NTEP, includes one 8004HD display	-	Consult

Dimensions			
Scale Size	2.5 x 2.5 ft	3 x 3 ft	4 x 4 ft
A	33.92 in	39.92 in	51.92 in
B	33.92 in	39.92 in	51.92 in
C	30.75 in	36.75 in	48.75 in
D	30.75 in	36.75 in	48.75 in

Note: 1 in=25.4 mm

## Options/Accessories

Part #	Description	Price
162173	Battery, 6 V SLA	Consult