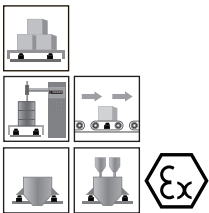


Single Ended Shear Beam



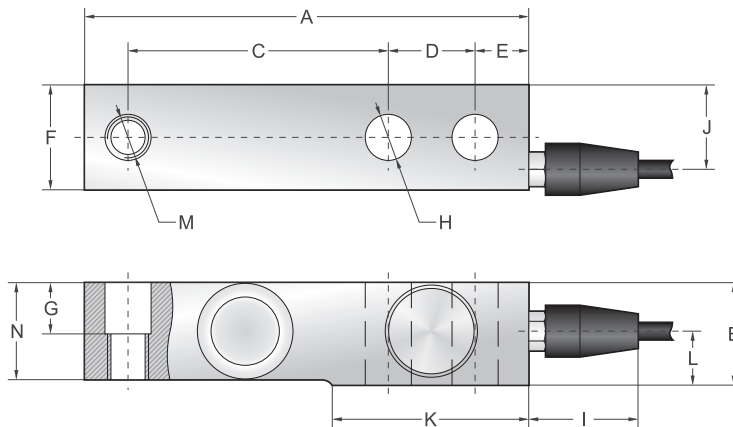
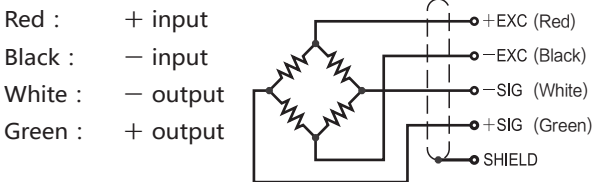
Capacities

250lb, 250kg, 500kg, 1000kg, 1500kg, 2000kg, 2500kg, 5000kg

Features

- Single ended shear beam load cell
- Stainless steel construction
- Welded Gage Cavity
- High accuracy
- High stability
- Anti-explosion (option)
- Easy to install
- Suitable for floor scales, blending & mixing systems, belt scales and batching systems, etc.

Schematic



| Capacities | | A | B | C | D | E | F | G | H | I | J | K | L | M | N |
|-------------|----|-------|------|------|------|------|------|------|---------|----|------|------|------|-------------|------|
| 250lb | mm | 130 | 30 | 76.2 | 25.4 | 15.7 | 30.7 | 15 | 3×Ø13.5 | 32 | 24.7 | 57.5 | 15.8 | 1/2"-20 UNF | 28.4 |
| 250kg~2.5ts | mm | 130 | 30 | 76.2 | 25.4 | 15.7 | 30.7 | 15 | 3×Ø13.5 | 32 | 24.7 | 57.5 | 15.8 | M12×1.75 | 28.4 |
| 2.5t~7.5ts | mm | 171.5 | 36.5 | 95.3 | 38.1 | 19.1 | 36.5 | 17.5 | 3×Ø19.8 | 32 | 30.7 | 76.2 | 19.5 | M18×1.5 | 34 |

Specifications

| | | | |
|------------------------|------------------------------|-----------------------|---------------------------------------|
| Rated Output | 2.0mV/V±0.1% / 3.0mV/V±0.1% | Safe Temp. Range | -10°C to + 70°C |
| Zero Balance | ±1% of rated output | Temp. Compensated | -10°C to + 40°C |
| Creep after 30 minutes | ±0.03% of rated output | Safe Overload | 150% |
| Nonlinearity | ±0.03% of rated output | Input Impedance | 387 ohm ± 20 ohm |
| Hysteresis | ±0.03% of rated output | Output Impedance | 350 ohm ± 5 ohm |
| Repeatability | ±0.03% of rated output | Insulation Resistance | ≥5000 M ohm (50V DC) |
| Temp. effect on output | ≤0.002% of applied output/°C | Rated Excitation | 10V DC/AC |
| Temp. effect on zero | ≤0.002% of rated output/°C | Maximum Excitation | 15V DC/AC |
| Wire Length | 6m | Wire Material | Red(+E) Black(-E) White(-S) Green(+S) |