

Stainless Steel, Hermetically Sealed, NTEP Certified 1:10,000 Multiple Cell, OIML C3, IP68



Picture is a representation of actual product.

Approvals



Order Information

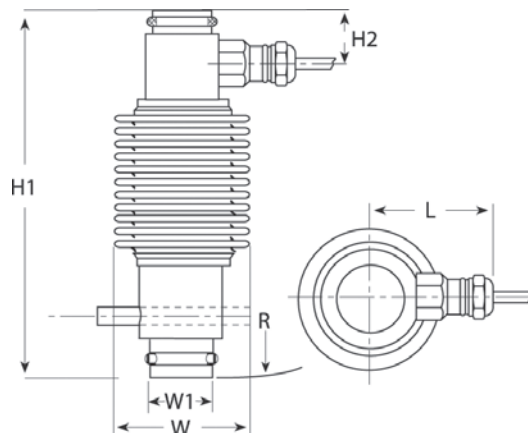
Load Rating	Part #	Est. Weight	Price
250 kN*	36217	8 lb	Consult
400 kN	36218	10 lb	Consult
50,000 lb**	170734	8 lb	Consult
Accessories			
Conduit adapter, 1/2-14 NPT	17703	1 lb	Consult
Load cup**, upper (250 kN only)	71602	-	Consult
Load cup**, lower (250 kN only)	44290	-	Consult
Anti-rotation pin	214044	-	Consult

*For Mettler-Toledo® digital to analog conversion: requires replacement of all system load cells, junction box, and instrumentation; consult factory. Kit on page 78.

**1,000ohm bridge

Dimensions

Rated Capacity	H1	H2	L	R	W	W1
kN/in						
250	7.56	1.22	2.44	10.98	2.83	1.46
400	8.86	1.34	2.72	14.02	3.35	1.46
50,000 lb	7.56	1.22	2.44	10.98	2.83	1.46



Interchangeable Products

FAIRBANKS®

63215 LCF-HR4020-1

FAIRBANKS®

82052

Specifications

Full Scale Output:

2.0 mV/V
mV/V/ohm calibration

Output Resistance:

351 (± 1) ohm
P/N 170734 1,000 (± 2) ohm

Input Resistance:

400 (± 15) ohm
P/N 170734 1,100 (± 50) ohm

Material/Finish:

Stainless steel

Temperature:

Compensated range
14 °F to 104 °F (-10 °C to 40 °C)
Operating range
0 °F to 150 °F (-18 °C to 65 °C)

Seal Type:

Hermetically sealed, IP68

Safe Overload:

200% full scale

Safe Sideload:

100% full scale

Rated Excitation:

5 to 10 VDC (15 V maximum)

Combined Error:

± 0.02% full scale

Insulation Resistance:

5,000 megohm

Cable Length:

250 kN: 35 ft
400 kN: 60 ft
50,000 lb: 15 ft overbraided

Cable Diameter:

0.196 in
Polyurethane jacket

Cable Color Code:

Green +Excitation
Black -Excitation
White +Signal
Red -Signal
Yellow Shield

Warranty:

One-year limited

Approvals:

FM
NTEP
OIML