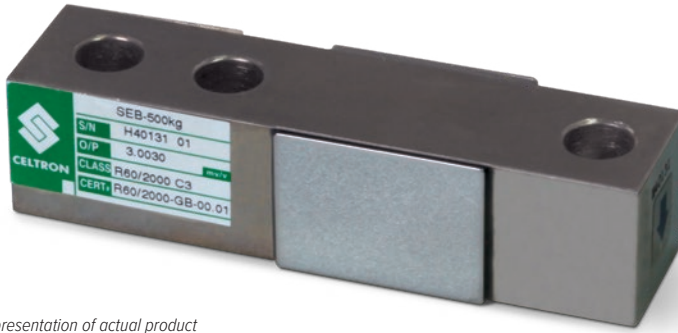


SEB

Alloy Steel, Environmentally Sealed, OIML C3, IP67



Picture is a representation of actual product

Approvals

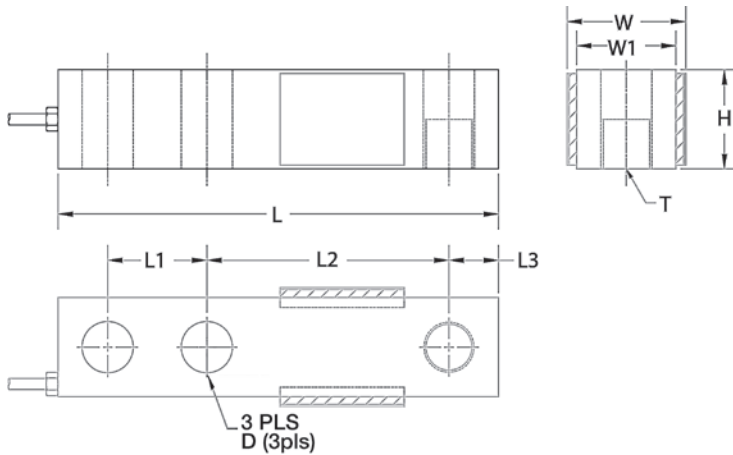


Order Information

Load Rating	Part #	Est. Weight	Price
500 kg	69315	3 lb	Consult
1 t	69316	3 lb	Consult
1.5 t	69317	3 lb	Consult
2 t	69318	3 lb	Consult
2.5 t	69319	3 lb	Consult

Dimensions

Rated Capacity	L	L1	L2	L3	W	W1	H	D	T
kg-t/in									
500 to 2.5	5.12	1.00	3.00	0.50	1.50	1.25	1.25	0.53	M12 x 1.75



Specifications

- Full Scale Output:**
3.0 mV/V
- Output Resistance:**
350 (± 3) ohm
- Input Resistance:**
385 (± 5) ohm
- Material/Finish:**
High-alloy steel, nickel plated
- Temperature:**
Compensated range
14 °F to 104 °F (-10 °C to 40 °C)
Operating range
0 °F to 150 °F (-18 °C to 65 °C)
- Seal Type:**
Environmentally sealed, IP67
- Safe Overload:**
150% full scale
- Safe Sideload:**
100% full scale
- Rated Excitation:**
5 to 10 VAC/DC (15 V maximum)
- Combined Error:**
0.025%
- Insulation Resistance:**
5,000 megohm
- Cable Length:**
20 ft
- Cable Diameter:**
0.200 in
Polyurethane jacket
- Cable Color Code:**
Red +Excitation
Black -Excitation
Green +Signal
White -Signal
- Warranty:**
One-year limited
- Approvals:**
cFMus
OIML