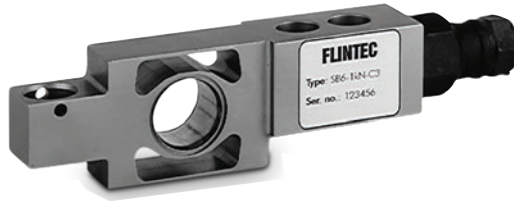


# SB6

Stainless Steel, Hermetically Sealed, OIML C3, IP68



Picture is a representation of actual product.

### Approvals

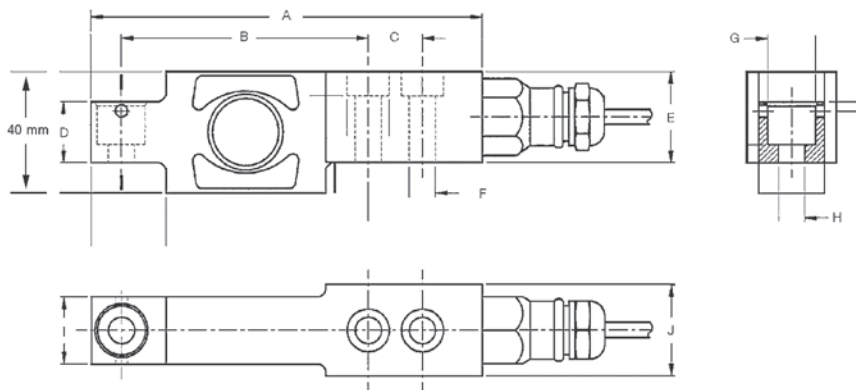


### Order Information

Load Rating	Part #	Est. Weight	Price
0.2 kN	41163	3 lb	Consult
0.5 kN	41164	3 lb	Consult
1 kN	41165	3 lb	Consult
2 kN	41166	3 lb	Consult

### Dimensions

Rated Capacity	A	B	C	D	E	F	G	H	I	J
kN/mm										
0.2 to 2	130.0	82.0	18.0	20.0	30.0	8.7	16.0	8.7	22.0	30.0



### Specifications

- Full Scale Output:**  
2.0 mV/V  
mV/V/ohm calibration
- Output Resistance:**  
1,000 (± 2) ohm
- Input Resistance:**  
1,100 (± 50) ohm
- Material/Finish:**  
Stainless steel
- Temperature:**  
Operating range  
0 °F to 150 °F (-18 °C to 65 °C)
- Seal Type:**  
Hermetically sealed, IP68
- Safe Overload:**  
200% full scale
- Safe Sideload:**  
100% full scale
- Rated Excitation:**  
5 to 10 VDC (15 V maximum)
- Combined Error:**  
0.01% full scale
- Insulation Resistance:**  
5,000 megohm
- Cable Length:**  
10 ft
- Cable Diameter:**  
0.196 in  
Polyurethane jacket
- Cable Color Code:**  
Green +Excitation  
Black -Excitation  
White +Signal  
Red -Signal  
Yellow Shield
- Warranty:**  
One-year limited
- Approvals:**  
FM  
OIML