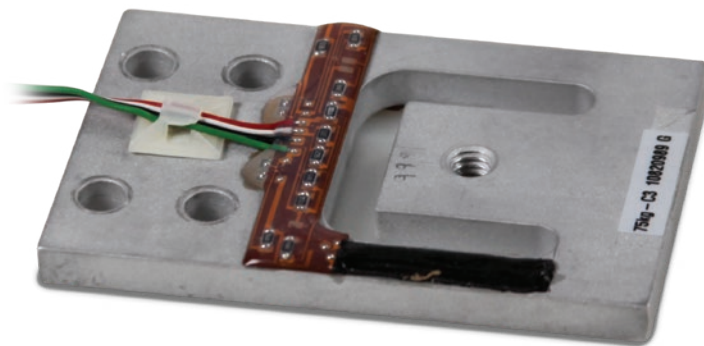


# RLBLP

Aluminum, Environmentally Sealed, IP65



Picture is a representation of actual product.

## Interchangeable Products

FLINTEC™

PB..... page 222

## Specifications

**Full Scale Output:**

1.0 mV/V

**Output Resistance:**

1,000 (± 10) ohm

**Input Resistance:**

1,180 (± 50) ohm

**Material/Finish:**

Aluminum

**Temperature:**

Operating range  
0 °F to 150 °F (-18 °C to 65 °C)

**Seal Type:**

Environmentally sealed, IP65

**Safe Overload:**

150% full scale

**Rated Excitation:**

5 to 15 VDC

**Combined Error:**

0.05% full scale

**Insulation Resistance:**

5,000 megohm

**Cable Length:**

15 kg: 1.0 m  
37.5 kg, 75 kg, 150 kg: 1.5 m

**Cable Color Code:**

Green +Excitation  
Black -Excitation  
White +Signal  
Red -Signal

**Warranty:**

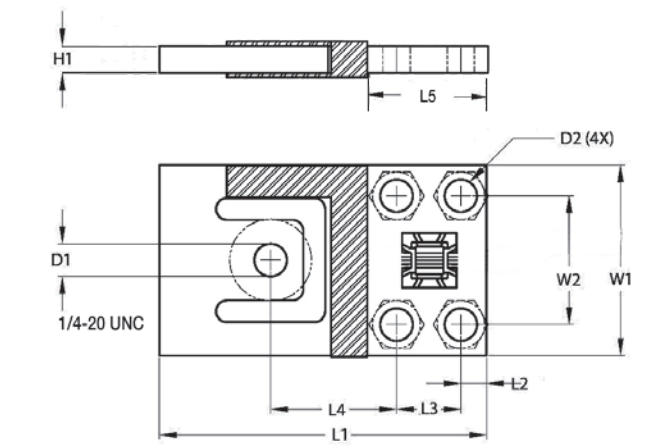
Two-year limited

## Order Information

Load Rating	Part #	Est. Weight	Price
15 kg	100272	1 lb	Consult
37.5 kg	104645	1 lb	Consult
75 kg	100273	1 lb	Consult
150 kg	100274	1 lb	Consult

## Dimensions

Rated Capacity	L1	L2	L3	L4	L5	W1	W2	H1	D1	D2
kg/mm										
15	70.0	4.9	14.0	28.0	23.7	39.0	27.8	4.1	7.6	5.1
37.5	76.2	6.0	15.0	29.3	27.0	44.5	30.0	4.8	7.6	6.6
75	84.4	6.4	15.0	34.0	27.7	54.8	30.0	6.4	7.6	6.6
150	107.3	7.8	22.9	45.9	38.4	69.9	44.5	7.9	9.1	8.1



RICE LAKE  
LOAD CELLS