

RC3

Stainless Steel, Hermetically Sealed, NTEP Certified 1:10,000 Class III Multiple Cell, OIML C3, IP69K



Picture is a representation of actual product.

Approvals



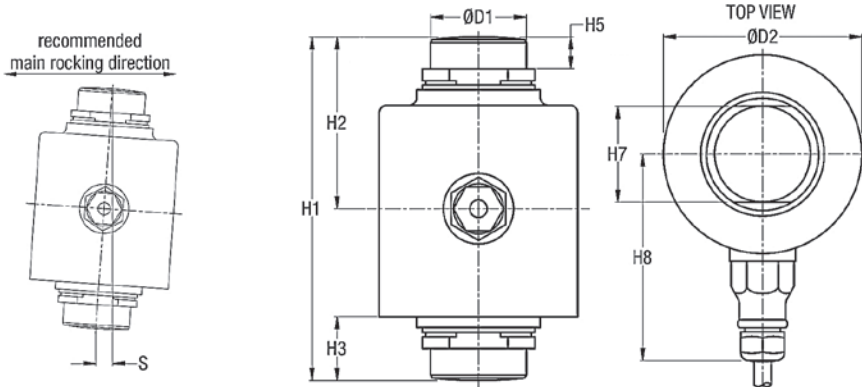
Order Information

Load Rating	Part #	Est. Weight	Price
7.5 t	168944	3 lb	Consult
15 t	168946	3 lb	Consult
22.5 t	168947	3 lb	Consult
30 t	84203	7 lb	Consult
40 t	84204	9 lb	Consult
50 t	84205	10 lb	Consult
Options			
Upper cup (50 t) alloy steel	111365	5 lb	Consult
Lower cup (50 t) alloy steel	111366	5 lb	Consult
Upper cup (50 t) stainless steel	154107	5 lb	Consult
Lower cup (50 t) stainless steel	154106	5 lb	Consult

The kits for the RC3 cells are on page 79. Cups 111365 and 111366 are used in kits 129844 and 111367. Cups 154107 and 154106 are used in kits 154347, 154348 and 154349.

Dimensions

Rated Capacity	H1	H2	H3	H5	H7	H8	D1	D2
t/in								
7.5 to 22.5	3.50	1.73	0.67	0.43	1.10	2.95	1.10	2.56
30	5.51	2.76	1.20	0.51	1.55	3.31	1.55	3.19
40	5.91	2.95	1.22	0.51	1.55	3.31	1.55	3.19
50	7.01	3.50	1.26	0.67	1.73	3.71	1.73	3.90



Interchangeable Products

FAIRBANKS®
30t 70510 LCF-HR4020-2A

Specifications

- Full Scale Output:**
2.0 mV/V
mV/V/ohm calibration
- Output Resistance:**
1,000 (± 2) ohm
- Input Resistance:**
1,150 (± 50) ohm
- Material/Finish:**
Stainless steel
- Temperature:**
Compensated range
14 °F to 104 °F (-10 °C to 40 °C)
Operating range
0 °F to 150 °F (-18 °C to 65 °C)

- Seal Type:**
Hermetically sealed, IP69K
- Safe Overload:**
200% full scale
- Safe Sideload:**
200% full scale
- Rated Excitation:**
5 to 10 VDC (15 V maximum)

- Combined Error:**
0.02% full scale
- Insulation Resistance:**
5,000 megohm

- Cable Length:**
7.5 to 22.5 t: 40 ft
30 to 50 t: 18 m

- Cable Diameter:**
0.307 in
Polyurethane jacket

- Cable Color Code:**
Green +Excitation
Black -Excitation
White +Signal
Red -Signal
Yellow Shield

- Warranty:**
One-year limited

- Approvals:**
FM
NTEP
OIML

