

25,000 lb - 100,000 lb

5,000 lb - 10,000 lb

Picture is a representation of actual product

**Approvals**



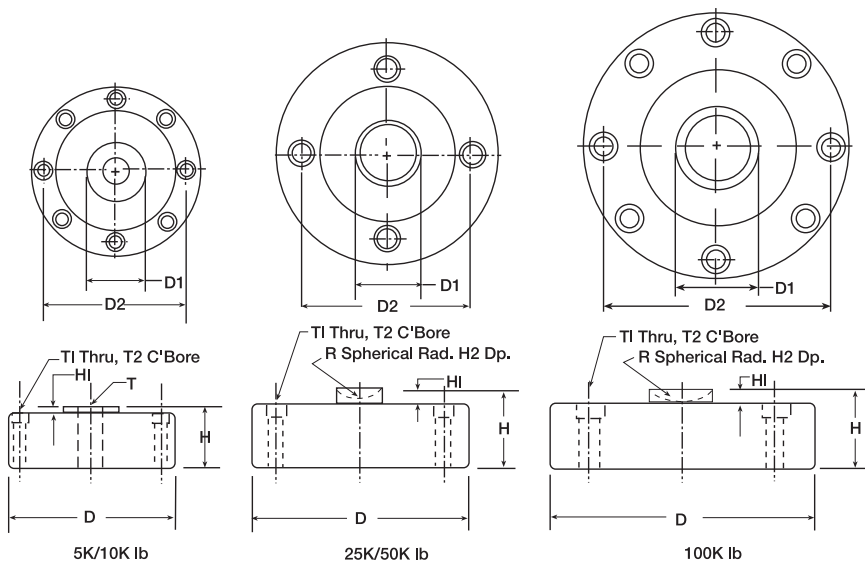
**Order Information**

Load Rating	Part #	Est. Weight	Price
5,000 lb*	<b>41966</b>	6 lb	Consult
10,000 lb*	<b>41967</b>	6 lb	Consult
25,000 lb	<b>41968</b>	9 lb	Consult
50,000 lb	<b>41969</b>	9 lb	Consult
100,000 lb	<b>41970</b>	12 lb	Consult
Options			
Ball 1.25 in diameter	<b>65841</b>	1 lb	Consult
Load cup**	<b>33616</b>	1 lb	Consult

\* 5,000lb and 10,000lb models can be used in compression and tension load applications  
 \*\* Load cup, PN 33616, is required for compression applications on 5,000lb and 10,000lb capacity load cells and is sold separately

**Dimensions**

Rated Capacity	T	R	D	D2	H	H1	H2	T1	T2
5,000 to 10,000	5/8-18 UNF	—	4.12	3.50	1.37	0.12	—	0.28	0.406 × 0.283 DP
25,000 to 50,000	—	0.875	4.75	4.00	2.12	0.50	0.31	0.34	0.508 × 0.38 DP
100,000	—	0.875	5.43	4.60	2.25	0.25	0.31	0.41	0.626 × 0.4 DP



**Interchangeable Products**

RICE LAKE WEIGHING SYSTEMS  
**RL90000** ..... page 149

**Specifications**

- Full Scale Output:**  
4.0 mV/V
- Output Resistance:**  
5,000 to 50,000 lb: 350 (± 3) ohm  
100,000 lb: 700 (± 5) ohm
- Input Resistance:**  
5,000 to 50,000 lb: 385 (± 5) ohm  
100,000 lb: 770 (± 70) ohm
- Material/Finish:**  
High-alloy steel, nickel plated
- Temperature:**  
Operating range  
0 °F to 150 °F (-18 °C to 65 °C)
- Seal Type:**  
Environmentally sealed, IP67
- Safe Overload:**  
150% full scale
- Rated Excitation:**  
15 VDC (15 V maximum)
- Nonlinearity:**  
0.05% full scale
- Hysteresis:**  
0.02% full scale
- Insulation Resistance:**  
2,000 megohm
- Cable Length:**  
50 ft
- Cable Diameter:**  
5,000 to 25,000 lb: 0.200 in  
50,000 to 100,000 lb: 0.305 in  
Polyurethane jacket
- Cable Color Code:**  
Red +Excitation  
Black -Excitation  
Green +Signal  
White -Signal
- Warranty:**  
One-year limited
- Approvals:**  
cFMus