



Picture is a representation of actual product

Approvals

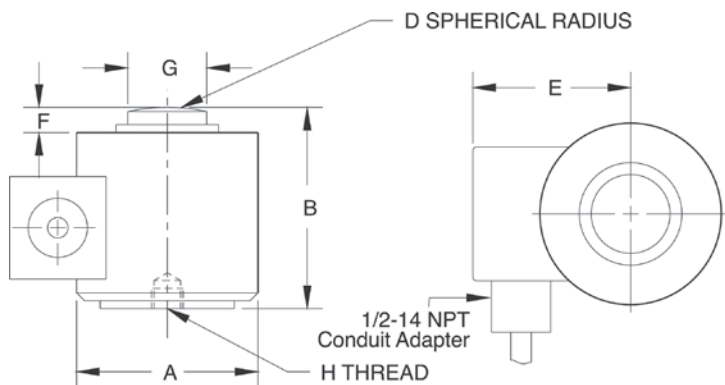


Order Information

Load Rating	Part #	Est. Weight	Price
10,000 lb	17588	8 lb	Consult
25,000 lb	17589	8 lb	Consult
50,000 lb	17590	8 lb	Consult
100,000 lb	17591	16 lb	Consult
200,000 lb	17592	40 lb	Consult
300,000 lb	17593	40 lb	Consult
500,000 lb	17594	53 lb	Consult

Dimensions

Rated Capacity	A	B	D	E	F	G	H	DEPTH of H
10,000 to 50,000	2.48	3.25	6.00	3.30	0.40	1.25	1/2-20 UNF	0.31
100,000	4.12	5.00	6.00	3.50	0.51	2.31	3/4-16 UNF	0.56
200,000 to 300,000	6.00	7.25	17.00	4.60	1.04	3.13	3/4-16 UNF	0.75
500,000	6.50	9.00	17.00	4.80	0.56	3.69	3/4-16 UNF	0.75



Interchangeable Products

- VPG® REVERE
- 392B**
- ARTECH®
- 90210**
- CARDINAL®
- CP1**
- HOWE RICHARDSON®
- 20908XXX**
- STREETER AMET®
- 3753070, 3752030, 3752040, 3751940**

Weigh Module Available

RICE LAKE WEIGHING SYSTEMS
MagnaMount®page 77

Specifications

- Full Scale Output:**
1.75 mV/V
- Output Resistance:**
480 (± 4.8) ohm
- Input Resistance:**
450 (± 4.5) ohm
- Material/Finish:**
Stainless steel
- Temperature:**
Operating range
0 °F to 150 °F (-18 °C to 65 °C)
- Seal Type:**
Welded-seal, IP68
- Safe Overload:**
150% full scale
- Rated Excitation:**
5 to 10 VDC (15 V maximum)
- Combined Error:**
0.15% full scale
- Non-repeatability:**
0.03% full scale
- Insulation Resistance:**
5,000 megohm
- Deflection at Capacity:**
10,000 to 50,000 lb: 0.003 in
100,000 to 300,000 lb: 0.006 in
500,000 lb: 0.009 in
- Cable Length:**
30 ft
- Cable Diameter:**
0.295 in
Polyurethane jacket
- Cable Color Code:**
Green +Excitation
Black -Excitation
White +Signal
Red -Signal
- Warranty:**
One-year limited
- Approvals:**
cFMus

VPG REVERE