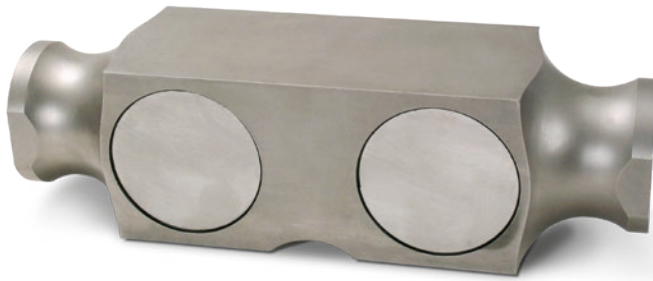


9223

Stainless Steel, Environmentally Sealed, NTEP Certified 1:10,000 Class III Multiple Cell, IP67



Picture is a representation of actual product

Approvals

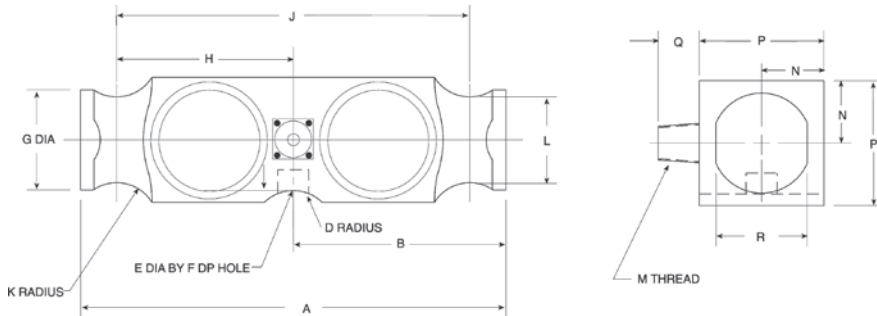


Order Information

Load Rating	Part #	Est. Weight	Price
50,000 lb	84150	22 lb	Consult
65,000 lb	84151	22 lb	Consult
100,000 lb	84152	22 lb	Consult
125,000 lb	84153	22 lb	Consult

Dimensions

Rated Capacity	A	B	D	E	F	G	H	J	K	L	M	N	P	Q	R
lb/in															
50,000 to 125,000	10.25	5.12	1.00	0.75	0.78	2.40	5.13	8.50	1.00	2.06	1/2-14 NPT	1.50	2.94	1.03	2.20



Weigh Module Available

RICE LAKE WEIGHING SYSTEMS
Translink™page 75

Specifications

- Full Scale Output:**
3.0 mV/V
- Output Resistance:**
700 (± 7) ohm
- Input Resistance:**
700 (± 7) ohm
- Material/Finish:**
Stainless steel
- Temperature:**
Compensated range
14 °F to 104 °F (-10 °C to 40 °C)
Operating range
0 °F to 150 °F (-18 °C to 65 °C)
- Seal Type:**
Environmentally sealed, IP67
- Safe Overload:**
150% full scale
- Safe Sideload:**
100% full scale
- Rated Excitation:**
5 to 10 VDC (20 V maximum)
- Non-repeatability:**
0.01% full scale
- Combined Error:**
0.02% full scale
- Insulation Resistance:**
5,000 megohm
- Deflection at Capacity:**
50,000 lb: 0.018 in
65,000 lb: 0.022 in
100,000 lb: 0.034 in
- Cable Length:**
40 ft
- Cable Diameter:**
0.295 in
Polyurethane jacket
- Cable Color Code:**
Red +Excitation
Black -Excitation
Green +Signal
White -Signal
- Warranty:**
One-year limited
- Approvals:**
cFMus
NTEP

VPG REVERSE