



Picture is a representation of actual product

### Approvals



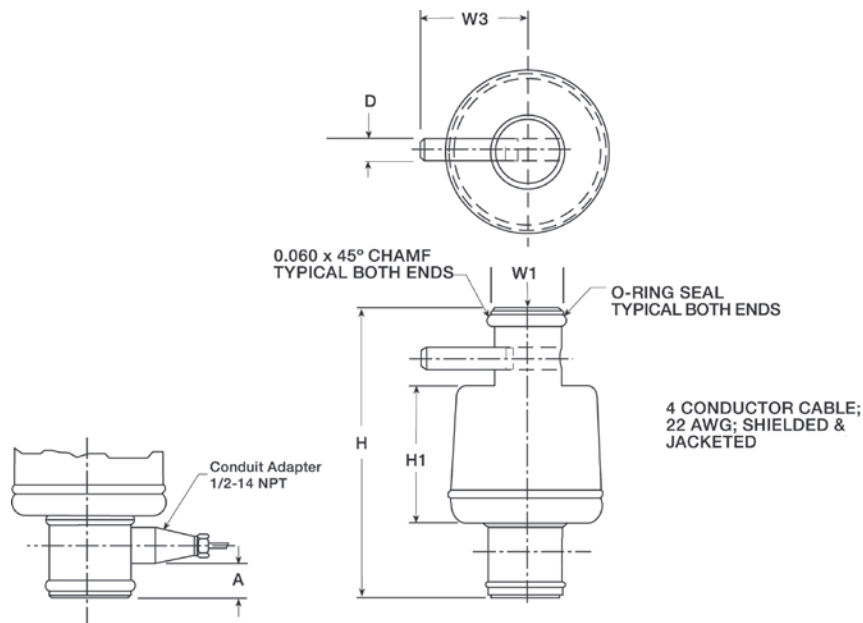
### Order Information

| Load Rating                      | Part # | Est. Weight | Price   |
|----------------------------------|--------|-------------|---------|
| 50,000 lb                        | 46497  | 5 lb        | Consult |
| 50,000 lb LE                     | 47952  | 6 lb        | Consult |
| Options                          |        |             |         |
| Replacement anti-rotational pins | 116181 | 1 lb        | Consult |
| Replacement O-ring               | 92988  | 1 lb        | Consult |

LE=large envelope

### Dimensions

| Rated Capacity | A    | D    | H    | H1   | H2   | W1   | W2   | W3   |
|----------------|------|------|------|------|------|------|------|------|
| lb/in          |      |      |      |      |      |      |      |      |
| 50,000         | 0.62 | 0.38 | 6.00 | 2.82 | 1.59 | 1.46 | 1.46 | 2.50 |
| 50,000 LE      | 0.62 | 0.38 | 7.56 | 2.82 | 1.59 | 1.46 | 1.46 | 2.50 |



### Interchangeable Products

FAIRBANKS®  
63951

### Specifications

**Full Scale Output:**  
2.0 mV/V nominal

**Output Resistance:**  
1,000 (±10 ohm)

**Input Resistance:**  
1,000 ohm

**Material/Finish:**  
Stainless steel

**Temperature:**  
Compensated range  
14 °F to 104 °F (-10 °C to 40 °C)  
Operating range  
0 °F to 150 °F (-18 °C to 65 °C)

**Seal Type:**  
Hermetically sealed, IP68

**Safe Overload:**  
150% full scale

**Rated Excitation:**  
5 to 10 V DC (15 V maximum)

**Combined Error:**  
0.03% full scale

**Insulation Resistance:**  
1,000 megohm

**Cable Length:**  
35 ft

**Cable Diameter:**  
0.305 in  
Polyurethane jacket

**Cable Color Code:**  
Red +Excitation  
Black -Excitation  
Green +Signal  
White -Signal

**Warranty:**  
Two-year limited

**Approvals:**  
cFMus  
NTEP