



Picture is a representation of actual product

Approvals



Available upon request

Available upon request

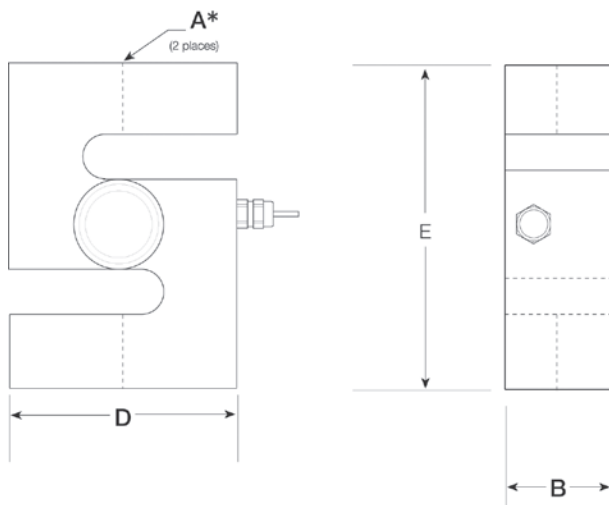
Order Information

Load Rating	Part #	Est. Weight	Price
500 kg	36389	4 lb	Consult
1,000 kg	36390	4 lb	Consult
2,000 kg	36391	4 lb	Consult

Dimensions

Rated Capacity	A*	B	D	E
kg/mm				
500 to 1,000	1/2-20 UNF	33.5	73.2	94.0
2,000	3/4-16 UNF	33.5	73.2	94.0

Metric threads available



Weigh Module Available

RICE LAKE WEIGHING SYSTEMS
ITCM Isolated Tension Cell Mount..... page 28

Specifications

Full Scale Output:
2.0 mV/V

Output Resistance:
350 (± 3) ohm

Input Resistance:
400 (± 20) ohm

Material/Finish:
Stainless steel

Temperature:
Compensated range
14 °F to 104 °F (-10 °C to 40 °C)
Operating range
0 °F to 150 °F (-18 °C to 65 °C)

Seal Type:
Welded-seal, IP68

Safe Overload:
150% full scale

Rated Excitation:
5 to 10 VDC (15 V maximum)

Combined Error:
0.02% full scale

Insulation Resistance:
1,000 megohm

Cable Length:
5 m

Cable Diameter:
0.220 in
Polyurethane jacket

Cable Color Code:
Blue +Excitation
Black -Excitation
White +Signal
Red -Signal
Green +Sense
Grey -Sense

Warranty:
One-year limited

Approvals:
cFMus
NTEP
Ex (Available upon request)
OIML (Available upon request)

**VPG
TEDEA-HUNTLEIGH**