



Picture is a representation of actual product

Approvals

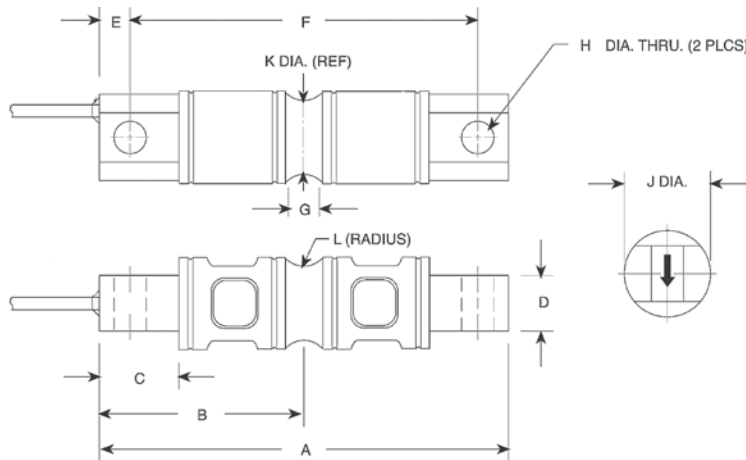


Order Information

Load Rating	Part #	Est. Weight	Price
5,000 lb	34494	5 lb	Consult
10,000 lb	34495	5 lb	Consult
20,000 lb	34496	6 lb	Consult
30,000 lb	34497	19 lb	Consult
40,000 lb	34498	19 lb	Consult
50,000 lb	34499	19 lb	Consult
60,000 lb	34500	19 lb	Consult
75,000 lb	159506	19 lb	Consult
100,000 lb	34501	30 lb	Consult
150,000 lb	17292	35 lb	Consult
200,000 lb	17293	46 lb	Consult
250,000 lb	17294	92 lb	Consult

Dimensions

Rated Capacity	A	B	C	D	E	F	G	H	J	K	L
5,000 to 10,000	8.12	4.06	1.44	1.12	0.62	6.87	0.62	0.65	1.70	1.48	0.50
20,000	8.12	4.06	1.44	1.12	0.62	6.87	0.84	0.65	1.95	1.48	0.50
30,000 to 75,000	10.25	5.12	1.88	2.37	0.88	8.50	1.00	1.06	3.00	2.73	1.00
100,000	11.25	5.62	1.88	2.50	0.88	9.50	1.00	1.06	3.50	3.24	1.50
150,000	11.25	5.62	1.88	2.80	0.88	9.50	1.25	1.06	3.90	3.64	1.50
200,000 to 250,000	16.10	8.05	3.05	4.60	1.55	13.00	1.30	1.55	5.375	5.17	2.00



Interchangeable Products

- RICE LAKE WEIGHING SYSTEMS
- RL70000.....page 128
- RL72020.....page 124

Weigh Module Available

- RICE LAKE WEIGHING SYSTEMS
- EZ Mount 1.....page 62

Specifications

- Full Scale Output:** 3.0 mV/V
- Output Resistance:** 700 (± 7) ohm
- Input Resistance:** 700 (± 7) ohm
- Material/Finish:** High-alloy steel, nickel plated
- Temperature:** Compensated range 14 °F to 104 °F (-10 °C to 40 °C)
Operating range 0 °F to 150 °F (-18 °C to 65 °C)
- Seal Type:** Environmentally sealed, IP67
- Safe Overload:** 150% full scale
- Safe Sideload:** 100% full scale
- Rated Excitation:** 5 to 10 VDC (15 V maximum)

- Non-repeatability:** 0.01% full scale
- Combined Error:** 0.025% full scale
- Insulation Resistance:** 5,000 megohm
- Deflection at Capacity:** 5,000 lb: 0.02 in
10,000 lb: 0.025 in
20,000 lb: 0.042 in
30,000 to 50,000 lb: 0.02 in
60,000 lb: 0.025 in
100,000 to 150,000 lb: 0.02 in
200,000 to 250,000 lb: 0.035 in

- Cable Length:** 30 ft
- Cable Diameter:** 0.295 in
Polyurethane jacket
- Cable Color Code:** Red +Excitation
Black -Excitation
Green +Signal
White -Signal

Warranty: One-year limited

Approvals: cFMus
NTEP

VPG REVERE