

SINGLE-ENDED BEAM  
**3510-OIML**

Stainless Steel, Welded Seal, OIML C3, IP68



Picture is a representation of actual product

Approvals



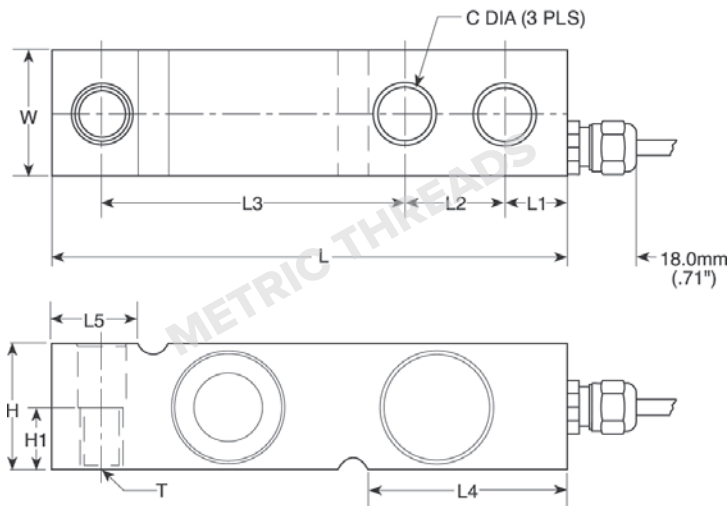
Available upon request

Order Information

Load Rating	Part #	Est. Weight	Price
500 kg	30161	3 lb	Consult
1,000 kg	30162	3 lb	Consult
2,000 kg	30163	3 lb	Consult
5,000 kg	30164	5 lb	Consult

Dimensions

Rated Capacity	C	C1	H	H1	L	L1	L2	L3	L4	L5	T	W
kg/mm												
500 to 2,000	13.5	13.5	32.0	16.0	130.0	15.8	25.4	76.2	50.5	23.5	M12 × 1.75 Thrd.	32.0
5,000	20.5	20.5	48.0	—	171.5	19.0	38.1	95.3	70.0	37.0	—	36.5



Interchangeable Products

RICE LAKE WEIGHING SYSTEMS  
**RLHTO** .....page 115

Weigh Module Available

RICE LAKE WEIGHING SYSTEMS  
**RL1700 HE** ..... page 23

Specifications

- Full Scale Output:**  
2.0 mV/V
- Output Resistance:**  
350 (± 3) ohm
- Input Resistance:**  
380 (± 10) ohm
- Material/Finish:**  
Stainless steel
- Temperature:**  
Operating range  
0 °F to 150 °F (-18 °C to 65 °C)
- Seal Type:**  
Welded-seal, IP68
- Safe Overload:**  
150% full scale
- Safe Sideload:**  
100% full scale
- Rated Excitation:**  
5 to 10 VDC (15 V maximum)
- Combined Error:**  
0.02% full scale
- Insulation Resistance:**  
2,000 megohm
- Deflection at Capacity:**  
0.015 in
- Cable Length:**  
5 m
- Cable Diameter:**  
0.220 in  
Polyurethane jacket
- Cable Color Code:**  
Blue +Excitation  
Black -Excitation  
White +Signal  
Red -Signal  
Green +Sense  
Gray -Sense
- Warranty:**  
One-year limited
- Approvals:**  
cFMus  
OIML  
Ex (Available upon request)

TEDEA-HUNTLEIGH  
VPG