



Picture is a representation of actual product

**Approvals**

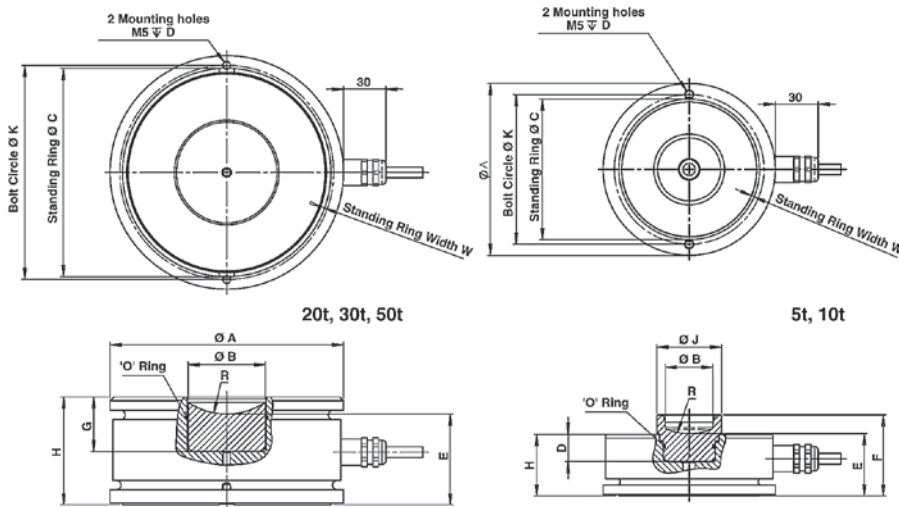


**Order Information**

Load Rating	Part #	Est. Weight	Price
5,000 kg	<b>65854</b>	3 lb	Consult
10,000 kg	<b>65855</b>	5 lb	Consult
20,000 kg	<b>65856</b>	8 lb	Consult
30,000 kg	<b>65857</b>	8 lb	Consult

**Dimensions**

Rated Capacity	A	B	C	D	E	H
kg/mm						
5,000	80.0	19.0	70.0	20.0	33.4	30.0
10,000	92.0	28.0	80.0	14.6	33.4	33.0
20,000 to 30,000	110.0	29.0	101.5	26.3	39.0	50.0



**Interchangeable Products**

AVERY WEIGH-TRONIX®  
**220**

**Weigh Module Available**

RICE LAKE WEIGHING SYSTEMS  
**220**.....page 37

**Specifications**

- Full Scale Output:**  
2.0 mV/V
- Output Resistance:**  
1,025 (± 20) ohm
- Input Resistance:**  
1,065 (± 60) ohm
- Material/Finish:**  
Stainless steel
- Temperature:**  
Compensated range  
14 °F to 104 °F (-10 °C to 40 °C)  
Operating range  
0 °F to 150 °F (-18 °C to 65 °C)
- Seal Type:**  
Hermetically sealed, IP68
- Safe Overload:**  
150% at center loading point, full scale
- Rated Excitation:**  
5 to 10 VDC (15 V maximum)
- Combined Error:**  
0.020% full scale
- Insulation Resistance:**  
2,000 megohm
- Deflection at Capacity:**  
< 0.5 mm at full scale
- Cable Length:**  
5,000 kg: 5 m  
10,000 to 20,000 kg: 10 m  
30,000 kg: 20 m
- Cable Diameter:**  
0.220 in  
Polyurethane jacket
- Cable Color Code:**  
Blue +Excitation  
Black -Excitation  
White +Signal  
Red -Signal  
Green +Sense  
Gray -Sense
- Warranty:**  
One-year limited
- Approvals:**  
cFMus  
OIML  
NTEP