



Picture is a representation of actual product

Specifications

- Full Scale Output:**
1.5 mV/V
- Output Resistance:**
605 (± 5) ohm
- Input Resistance:**
670 (± 15) ohm
- Material/Finish:**
Stainless steel
- Temperature:**
Operating range
-0 °F to 150 °F (-18 °C to 65 °C)
- Seal Type:**
Environmentally sealed, IP68
- Safe Overload:**
150% full scale
- Rated Excitation:**
5 to 10 VDC
- Combined Error:**
0.02% of applied load
- Insulation Resistance:**
2,000 megohm
- Cable Length:**
15 m
- Cable Color Code:**
Green +Excitation
Black -Excitation
Red +Signal
White -Signal
Blue +Sense
Brown -Sense
- Warranty:**
One-year limited

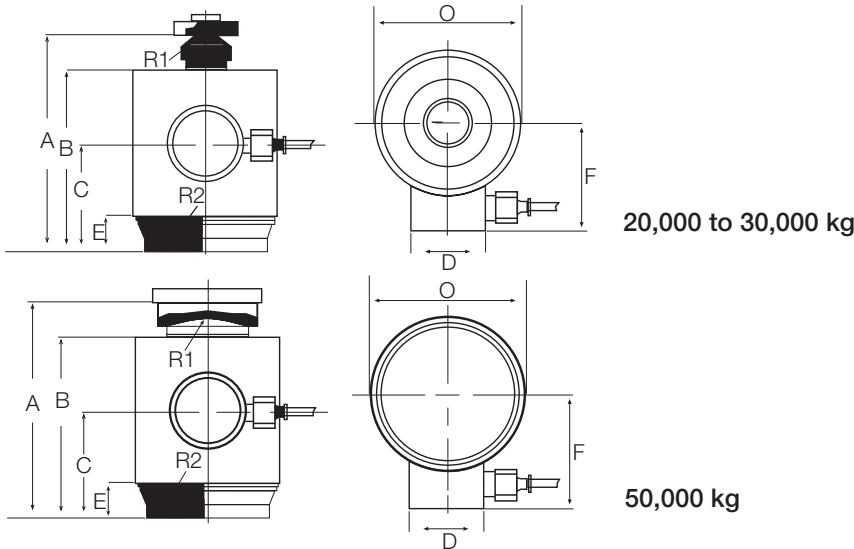
VPG
TEDEA-HUNTLEIGH

Order Information

Load Rating	Part #	Est. Weight	Price
20,000 kg	169233	10 lb	Consult
30,000 kg	169234	10 lb	Consult
50,000 kg	169235	13 lb	Consult

Dimensions

Rated Capacity	A	B	C	D	E	F	O	R1	R2
kg/mm									
20,000	138.3	112.3	72.3	50.0	32.3	69.0	88.0	15.0	150.0
30,000	138.3	112.3	72.3	50.0	32.3	69.0	88.0	15.0	150.0
50,000	155.5	115.8	74.0	50.0	32.3	69.0	88.0	35.0	300.0



Load cups not included