



Picture is a representation of actual product

Approvals



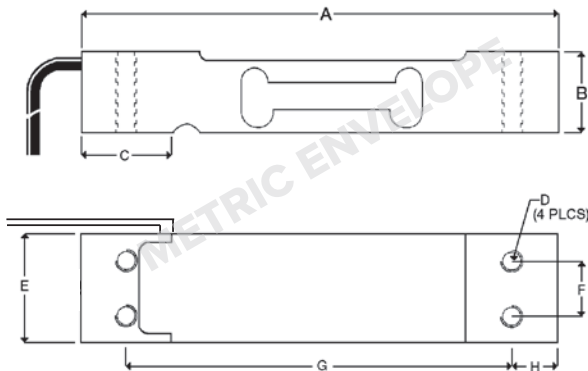
Available upon request

Order Information

| Load Rating | Part # | Est. Weight | Price |
|----------------------|--------|-------------|---------|
| 1.5 ft Cables | | | |
| 3 kg | 41135 | 2 lb | Consult |
| 5 kg | 41136 | 2 lb | Consult |
| 7 kg | 41137 | 2 lb | Consult |
| 10 kg | 41138 | 2 lb | Consult |
| 15 kg | 41139 | 2 lb | Consult |
| 20 kg | 41140 | 2 lb | Consult |
| 30 kg | 41141 | 2 lb | Consult |
| 35 kg | 41142 | 2 lb | Consult |
| 10 ft Cables | | | |
| 3 kg | 132269 | 2 lb | Consult |
| 5 kg | 132270 | 2 lb | Consult |
| 7 kg | 132271 | 2 lb | Consult |
| 10 kg | 132272 | 2 lb | Consult |
| 15 kg | 132273 | 2 lb | Consult |
| 20 kg | 132274 | 2 lb | Consult |
| 30 kg | 132275 | 2 lb | Consult |
| 35 kg | 132276 | 2 lb | Consult |
| 1.5 ft Cables | | | |
| 10 kg | 150770 | 2 lb | Consult |
| 15 kg | 150771 | 2 lb | Consult |
| 20 kg | 150772 | 2 lb | Consult |
| 30 kg | 150773 | 2 lb | Consult |

Dimensions

| Rated Capacity | A | B | C | D | E | F | G | H |
|----------------|-------|------|------|----------|------|------|-------|------|
| kg/mm | | | | | | | | |
| 3 to 7 | 130.0 | 22.0 | 25.0 | M6 × 1.0 | 25.4 | 15.0 | 106.0 | 12.0 |
| 10 to 30 | 130.0 | 22.0 | 25.0 | M6 × 1.0 | 30.0 | 15.0 | 106.0 | 12.0 |
| 35 | 130.0 | 22.0 | 25.0 | M6 × 1.0 | 40.0 | 15.0 | 106.0 | 12.0 |



Interchangeable Products

RICE LAKE WEIGHING SYSTEMS

RL1521A..... page 156

VPG® CELTRON

LPS..... page 197

VPG® BLH

C2G1

NMB®

C2G1

Specifications

Full Scale Output:

2.0 mV/V

Output Resistance:

350 (± 3) ohm

Input Resistance:

415 (± 15) ohm

Material/Finish:

Anodized aluminum

Temperature:

Compensated range
14 °F to 104 °F (-10 °C to 40 °C)
Operating range
0 °F to 150 °F (-18 °C to 65 °C)

Seal Type:

Environmentally sealed, IP66

Safe Overload:

150% full scale

Rated Excitation:

5 to 10 VDC (15 V maximum)

Combined Error:

0.02% full scale

Insulation Resistance:

2,000 megohm

Cable Length:

10 ft
1.5 ft

Cable Diameter:

0.140 in PVC jacket

Cable Color Code:

Green +Excitation
Black -Excitation
Red +Signal
White -Signal

Platform Size:

13.78 × 13.78 in

Warranty:

One-year limited

Approvals:

cFMus
NTEP
OIML
Ex (Available upon request)

TEDEA-HUNTLEIGH VPG