



Picture is a representation of actual product.

Approvals

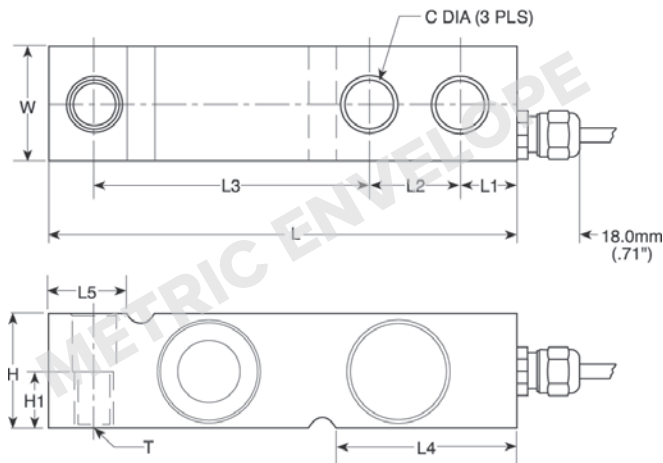


Order Information

Load Rating	Part #	Est. Weight	Price
500 kg	31253	3 lb	Consult
1,000 kg	31250	3 lb	Consult
2,000 kg	31251	3 lb	Consult
5,000 kg	31252	5 lb	Consult

Dimensions

Rated Capacity	C	H	H1	L	L1	L2	L3	L4	L5	T	W
kg/mm											
500 to 2,000	13.5	32.0	16.0	130.0	15.8	25.4	76.2	50.5	23.5	M12 x 1.75	32.0
5,000	20.5	48.0	—	171.5	19.0	38.1	95.3	70.0	37.0	—	36.5



Interchangeable Products

VPG® TEDEA-HUNTLEIGH
3510-OIML page 308

Weigh Module Available

RICE LAKE WEIGHING SYSTEMS
1700 HE page 23

Specifications

Full Scale Output:

2.0 mV/V

Output Resistance:

350 (± 3) ohm

Input Resistance:

380 (± 10) ohm

Material/Finish:

Stainless steel

Temperature:

Operating range
 0 °F to 150 °F (-18 °C to 65 °C)

Seal Type:

Hermetically sealed, IP66/68

Safe Overload:

150% full scale

Safe Sideload:

100% full scale

Rated Excitation:

5 to 10 VDC (15 V maximum)

Combined Error:

0.02% applied load

Insulation Resistance:

2,000 megohm

Deflection at Capacity:

0.4 mm

Cable Length:

5 m

Cable Diameter:

0.220 in polyurethane jacket

Cable Color Code:

- Blue +Excitation
- Black -Excitation
- White +Signal
- Red - Signal
- Green +Sense
- Grey -Sense

Warranty:

Two-year limited

Approvals:

cFMus