

# RLCSP1

Stainless Steel, Welded Seal, NTEP Certified 1:10,000 Class III Multiple Cell, IP67



Picture is a representation of actual product.

Approvals

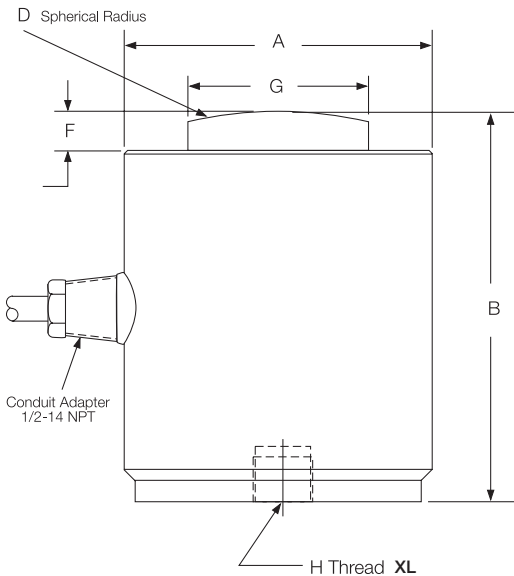


### Order Information

Load Rating	Part #	Est. Weight	Price
<b>35 ft Cable</b>			
25,000 lb	32702	7 lb	Consult
50,000 lb	32701	7 lb	Consult
100,000 lb	32700	15 lb	Consult
200,000 lb	32699	28 lb	Consult
<b>80 ft Cable</b>			
200,000 lb	197788	30 lb	Consult

### Dimensions

Rated Capacity	A	B	D	F	G	H	L-DEPTH
25,000 to 50,000	3.00	3.25	6.00	0.40	1.25	1/2-20 UNF	0.31
100,000	4.00	5.00	6.00	0.51	2.31	3/4-16 UNF	0.56
200,000	6.00	7.25	17.00	1.04	3.13	3/4-16 UNF	0.75



### Interchangeable Products

- VPG® REVERE  
**CSP** ..... page 265
- VPG® SENSORTRONICS®  
**65088-1000**
- VPG® REVERE  
**692B**
- HOWE RICHARDSON®  
**244699-000X**
- STREETER AMET®  
**3760XXX**

### Weigh Module Available

- RICE LAKE WEIGHING SYSTEMS  
**MagnaMount** ..... page 77

### Specifications

- Full Scale Output:**  
2.0 mV/V
- Output Resistance:**  
475.2 to 484.8 ohm
- Input Resistance:**  
445.5 to 454.5 ohm
- Material/Finish:**  
Stainless steel
- Temperature:**  
Compensated range  
14 °F to 104 °F (-10 °C to 40 °C)  
Operating range  
0 °F to 150 °F (-18 °C to 65 °C)
- Seal Type:**  
Welded-seal, IP67
- Safe Overload:**  
150% full scale
- Rated Excitation:**  
5 to 10 VDC (15 V maximum)
- Combined Error:**  
0.03% full scale
- Non-repeatability:**  
0.01% full scale
- Insulation Resistance:**  
1,000 megohm
- Deflection at Capacity:**  
25,000 to 50,000 lb: 0.003 in  
100,000 to 125,000 lb: 0.006 in
- Cable Length:**  
35 ft  
80 ft
- Cable Diameter:**  
0.305 in polyurethane jacket
- Cable Color Code:**  
Green +Excitation  
Black -Excitation  
White +Signal  
Red -Signal  
Orange Shield
- Warranty:**  
Two-year limited
- Approvals:**  
NTEP 95-140

RICE LAKE  
LOAD CELLS