

RL70510-30t/RL80453-100,000 lb

Stainless Steel, Hermetically Sealed, NTEP Certified 1:10,000 Class III L, IP69K



Picture is a representation of actual product.

Approvals



Order Information: RL70510

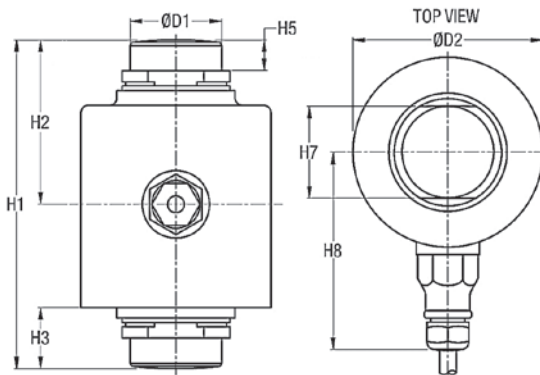
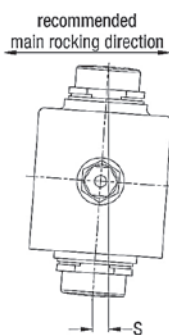
Load Rating	Part #	Est. Weight	Price
30t	169363	6 lb	Consult
Upper load cup	109332	4 lb	Consult
Lower load cup	109331	4 lb	Consult

Order Information: RL80453

Load Rating	Part #	Est. Weight	Price
100,000 lb	169365	6 lb	Consult
Upper load cup	109332	4 lb	Consult
Lower load cup	109331	4 lb	Consult

Dimensions

Rated Capacity	H1	H2	H3	H5	H7	H8	D1	D2
t/in								
30	5.51	2.76	1.02	0.51	1.54	3.32	1.54	3.18
lb/in								
100,000	5.91	2.95	1.30	0.51	1.54	3.32	1.54	3.18



Interchangeable Products

FAIRBANKS®	
70510	LCF HR 4020-2A
FAIRBANKS	
80453	LCF HR 4020-21

Specifications

Full Scale Output:

2.0 mV/v

Output Resistance:

1,000 (± 2) ohm

Input Resistance:

1,150 (± 50) ohm

Material/Finish:

Stainless steel

Temperature:

Compensated range

14 °F to 104 °F (-10 °C to 40 °C)

Operating range

0 °F to 150 °F (-18 °C to 65 °C)

Seal Type:

Hermetically sealed, IP69K

Safe Overload:

200% full scale

Rated Excitation:

5 to 10 VDC (15 V max)

Combined Error:

0.02% full scale

Insulation Resistance:

5,000 megohm

Cable Length:

15 ft

Cable Diameter:

0.200 in

Stainless steel overbraid cable

Cable Color Code:

Green +Excitation

Black -Excitation

White +Signal

Red -Signal

Yellow Shield

Warranty:

Two-year limited

Approvals:

NTEP 15-057

RICE LAKE
LOAD CELLS