



## Standard Features

- Jumpers to enable trimming
- PreVent™ breather vent
- Conformal coated circuit board
- Number of cells: Two, three or four single cells
- Expansion port

## Applications

- Floor, tank, hopper scales

## Specifications

### Cable Fittings:

- (4) PG7 0.118 to 0.255 strain relief
- (2) PG11 0.197 to 0.394 strain relief

### Rating/Material:

- NEMA Type 4X
- Stainless steel

### Temperature Range:

- Operating: 0 °F to 122 °F (-18 °C to 50 °C)

### Connectors:

- Spring clamp screwless, 12 to 28 AWG

### Trimming:

- Individual cell, excitation trim

### Potentiometers:

- 100 ohm, 25-turn cermet

### Circuit Board:

- 3.8 × 2.3 in, with conformal coating

### Warranty:

- One-year limited

### Approvals:

- cFMus

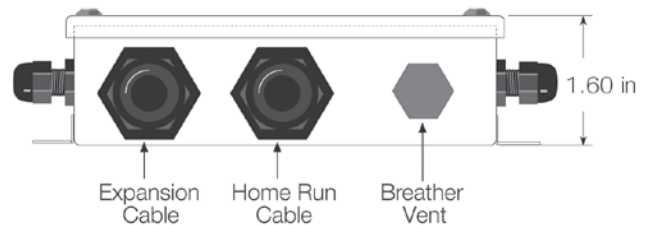
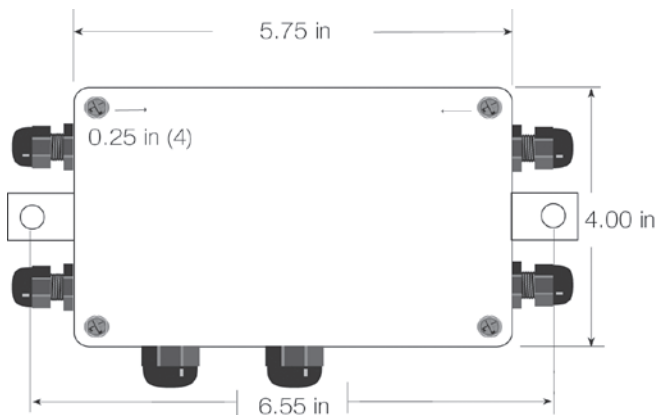
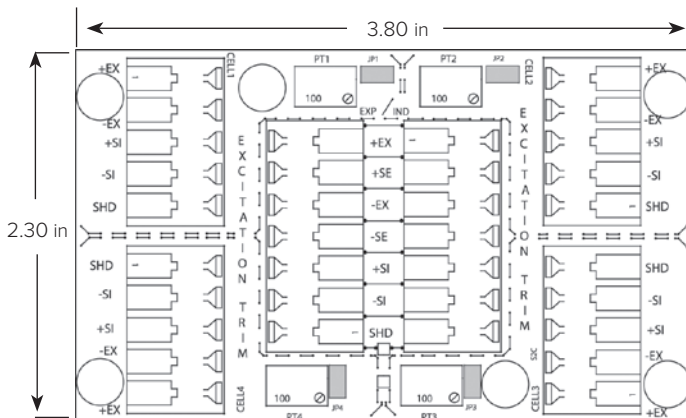
## Approvals



## Part Number/Price

Part #	Description	Price
91779	JB4ES excitation trim junction box	Consult
89446	Board only	Consult
165271	Enclosure only (includes cord grips and filter)	Consult

Note: Do not mix junction box models or use other brands of junction boxes with Rice Lake junction boxes. There is a risk of system instability.



JUNCTION BOXES /  
SIMULATORS